

## KIT TAGLIA-ASPIRACATENELLA

**TAGLIACATENELLA**  
**BIDONE**  
**VENTURI**  
**TIRANTE**  
**TIRANTE**

vedi lista marche e classi  
 TU20 Siruba, adatto a tutte le marche  
**MS-VENTURI** adatto a Siruba / Mauser / W&G - (yamato, brother, juki - solo orig.)  
 JT035TIR - 1 via  
 JT035TIR 2 - 2 vie per alzapiedino



Item no.	Applicable machine classes / models
T041	Flat type chain cutter complete Juki MO-3600, 3700, 3900 5-thread safety stitch machines
T042	Side type chain cutter complete Juki MO-3600, 3700, 3900 3 or 4-thread overlock machines
T043	Side type chain cutter for Juki
T035	Flat type chain cutter complete Juki MO-2300, 2400, 2500 5-thread safety stitch machines
T036	Side type chain cutter complete Juki MO-2300, 2400, 2500 3 or 4-thread overlock machines
301148 (KS301148)(KS002)	Side type chain cutter complete for Pegasus (W & G) E52, L52 etc.
301030 (KH301030)(KH001)	Flat type chain cutter complete for Pegasus (W & G) E32 (light to medium material)
301235 (KH301235)(KH003)	Flat type chain cutter complete for Pegasus (W & G) E32 (Medium to extra heavy material)
303753 (KH303753)(KH010)	Flat type chain cutter complete for Pegasus (W & G) L132 (light to medium material)
303754 (KH303754)(KH012)	Flat type chain cutter complete for Pegasus (W & G) L132 (Medium to extra heavy material)
308045-91(KS308045-91)(KS371)	Side type chain cutter complete for Pegasus (W & G) EX5200, LX5200, EX5400
308046-91(KS308046-91)(KS372)	Side type chain cutter complete for Pegasus (W & G) EX5200, LX5200, EX5400
308047-91(KS308047-91)(KS373)	Side type chain cutter complete for Pegasus (W & G) EX5200, LX5200, EX5400
308020A91Y(KH308020A91Y)(KH020A)	Flat type chain cutter complete for Pegasus (W & G) EX3200, LX3200 standard
308020B91Y (KH308020B91Y)(KH020B)	Flat type chain cutter complete for Pegasus (W & G) EX3200,LX3200 Heavy Material
2109906 (K1)	Flat type chain cutter complete for Yamato AZ8500,8600 etc.
2109917 (K2)	Side type chain cutter complete for Yamato AZ8003, 8000, 6000, 6003 etc.
S24274-0-01	Flat action chain cutter for Brother EF-4V, B661
S24273-0-01	Side action chain cutter for Brother B661 (CV1)
CT	Flat type chain cutter for Siruba 700 series
VT	Side type (vertical) chain cutter for Siruba 700 series
DT	Flat type chain cutter for Siruba top feed machines
SS	Side action chain cutter for Kingtex SH-6000 series
US	Flat action chain cutter for Kingtex SH-6000 series

## TAGLIA-ASPIRACATENELLA NUOVE VERSIONI



### **KS304272-91**

Tagliacatenella WG – PEGASUS  
M652 verticale



### **KS304308A-91Y**

Tagliacatenella WG – PEGASUS  
M732 – 752 orizzontale



### **KS304294-91**

Tagliacatenella WG – PEGASUS  
M732 – 752 verticale



### **S43547**

Tagliacatenella BROTHER 661  
SERIE V orizzontale

**S24273** verticale

**S24274** orizzontale

Tagliacatenella BROTHER 661  
SERIE N



### **Y2121000**

Tagliacatenella verticale YAMATO AZF8400  
Coltello sup: Y2111055 inf: Y2111056



### **KH308100A (KH021A EXT)**

Tagliacatenella orizzontale  
PEGASUS EXT 3200 – EXT 5200



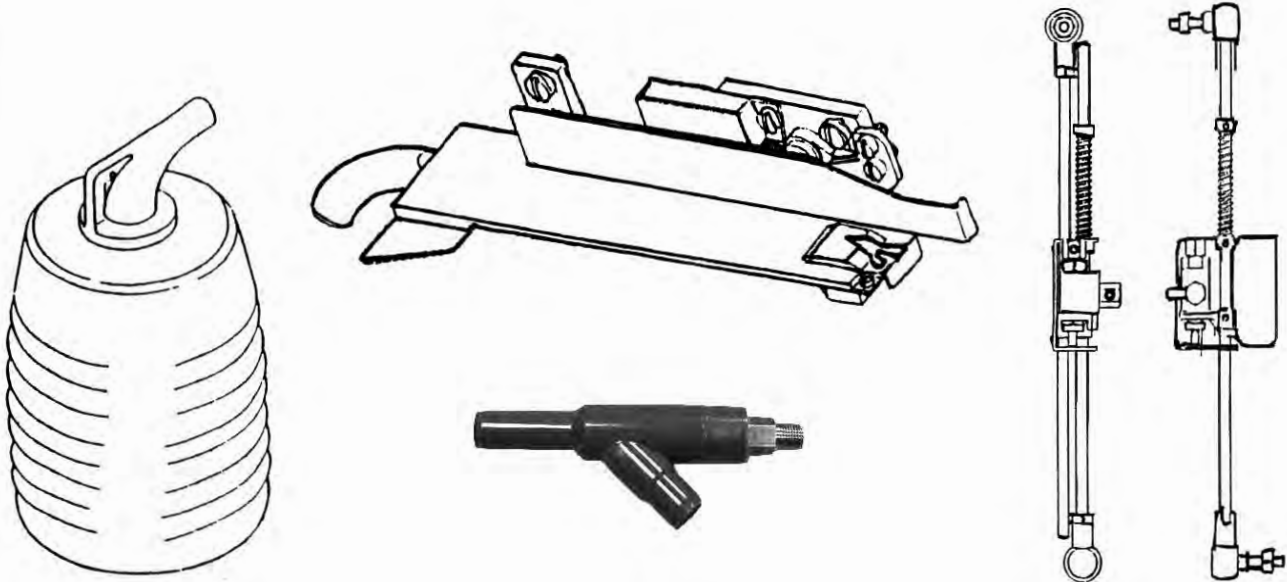
### **KH308100B (KH021B EXT)**

Tagliacatenella orizzontale  
PEGASUS EXT 3200 – EXT 5200  
Per materiale leggero

# KIT TAGLIA-ASPIRACATENELLA

TAGLIACATENELLA  
 BIDONE  
 VENTURI  
 TIRANTE  
 TIRANTE

vedi lista marche e classi  
 TU20 Siruba, adatto a tutte le marche  
**MS-VENTURI** adatto a Siruba / Mauser / W&G - (yamato, brother, juki - solo orig.)  
 JT035TIR - 1 via  
 JT035TIR 2 - 2 vie per alzapiedino



Item no.	Applicable machine classes / models
T041	Flat type chain cutter complete Juki MO-3600, 3700, 3900 5-thread safety stitch machines
T042	Side type chain cutter complete Juki MO-3600, 3700, 3900 3 or 4-thread overlock machines
T043	Side type chain cutter for Juki
T035	Flat type chain cutter complete Juki MO-2300, 2400, 2500 5-thread safety stitch machines
T036	Side type chain cutter complete Juki MO-2300, 2400, 2500 3 or 4-thread overlock machines
301148 (KS301148)(KS002)	Side type chain cutter complete for Pegasus (W & G) E52, L52 etc.
301030 (KH301030)(KH001)	Flat type chain cutter complete for Pegasus (W & G) E32 (light to medium material)
301235 (KH301235)(KH003)	Flat type chain cutter complete for Pegasus (W & G) E32 (Medium to extra heavy material)
303753 (KH303753)(KH010)	Flat type chain cutter complete for Pegasus (W & G) L132 (light to medium material)
303754 (KH303754)(KH012)	Flat type chain cutter complete for Pegasus (W & G) L132 (Medium to extra heavy material)
308045-91(KS308045-91)(KS371)	Side type chain cutter complete for Pegasus (W & G) EX5200, LX5200, EX5400
308046-91(KS308046-91)(KS372)	Side type chain cutter complete for Pegasus (W & G) EX5200, LX5200, EX5400
308047-91(KS308047-91)(KS373)	Side type chain cutter complete for Pegasus (W & G) EX5200, LX5200, EX5400
308020A91Y(KH308020A91Y)(KH020A)	Flat type chain cutter complete for Pegasus (W & G) EX3200, LX3200 standard
308020B91Y (KH308020B91Y)(KH020B)	Flat type chain cutter complete for Pegasus (W & G) EX3200,LX3200 Heavy Material
2109906 (K1)	Flat type chain cutter complete for Yamato AZ8500,8600 etc.
2109917 (K2)	Side type chain cutter complete for Yamato AZ8003, 8000, 6000, 6003 etc.
S24274-0-01	Flat action chain cutter for Brother EF-4V, B661
S24273-0-01	Side action chain cutter for Brother B661 (CV1)
CT	Flat type chain cutter for Siruba 700 series
VT	Side type (vertical) chain cutter for Siruba 700 series
DT	Flat type chain cutter for Siruba top feed machines
SS	Side action chain cutter for Kingtex SH-6000 series
US	Flat action chain cutter for Kingtex SH-6000 series