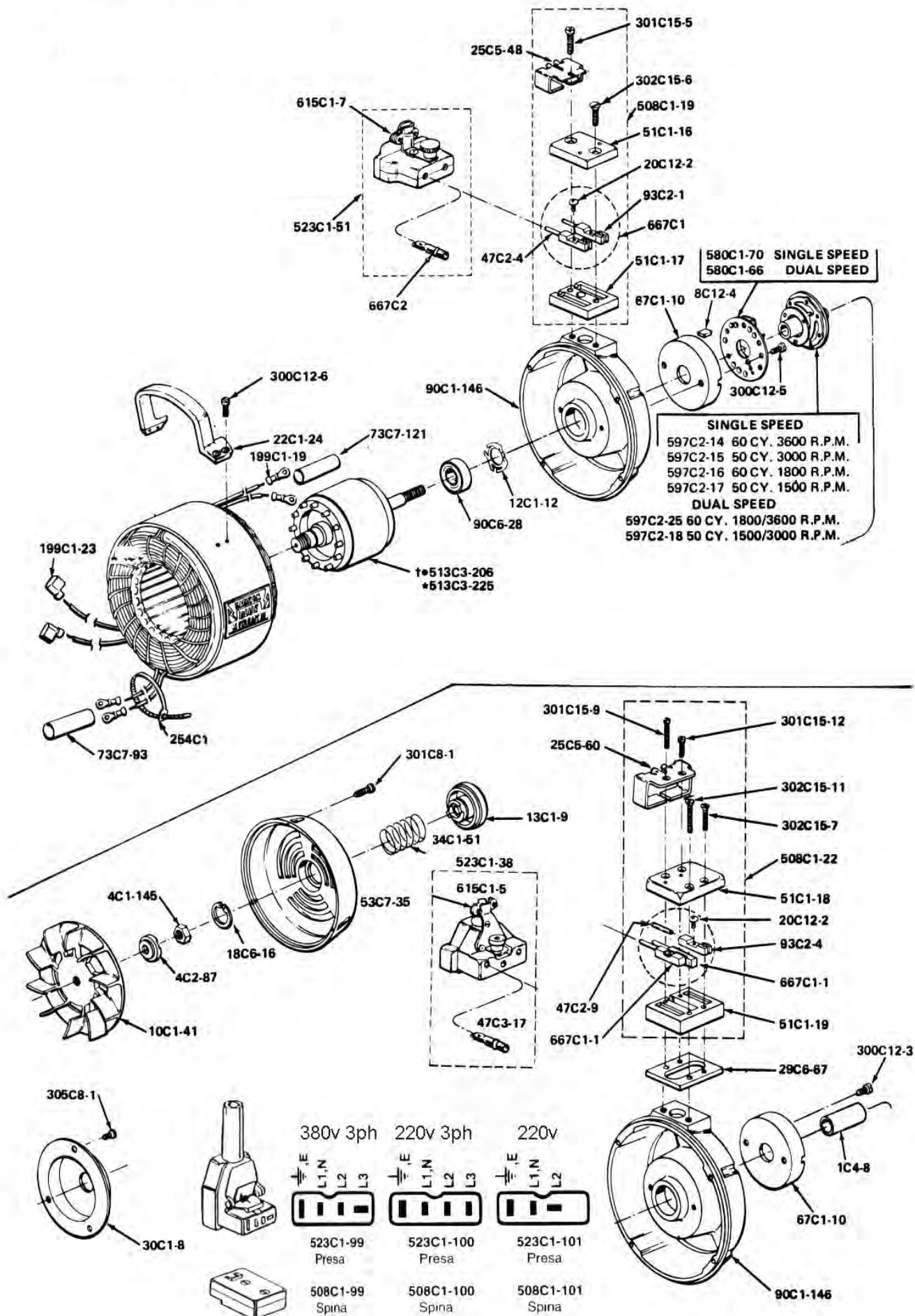
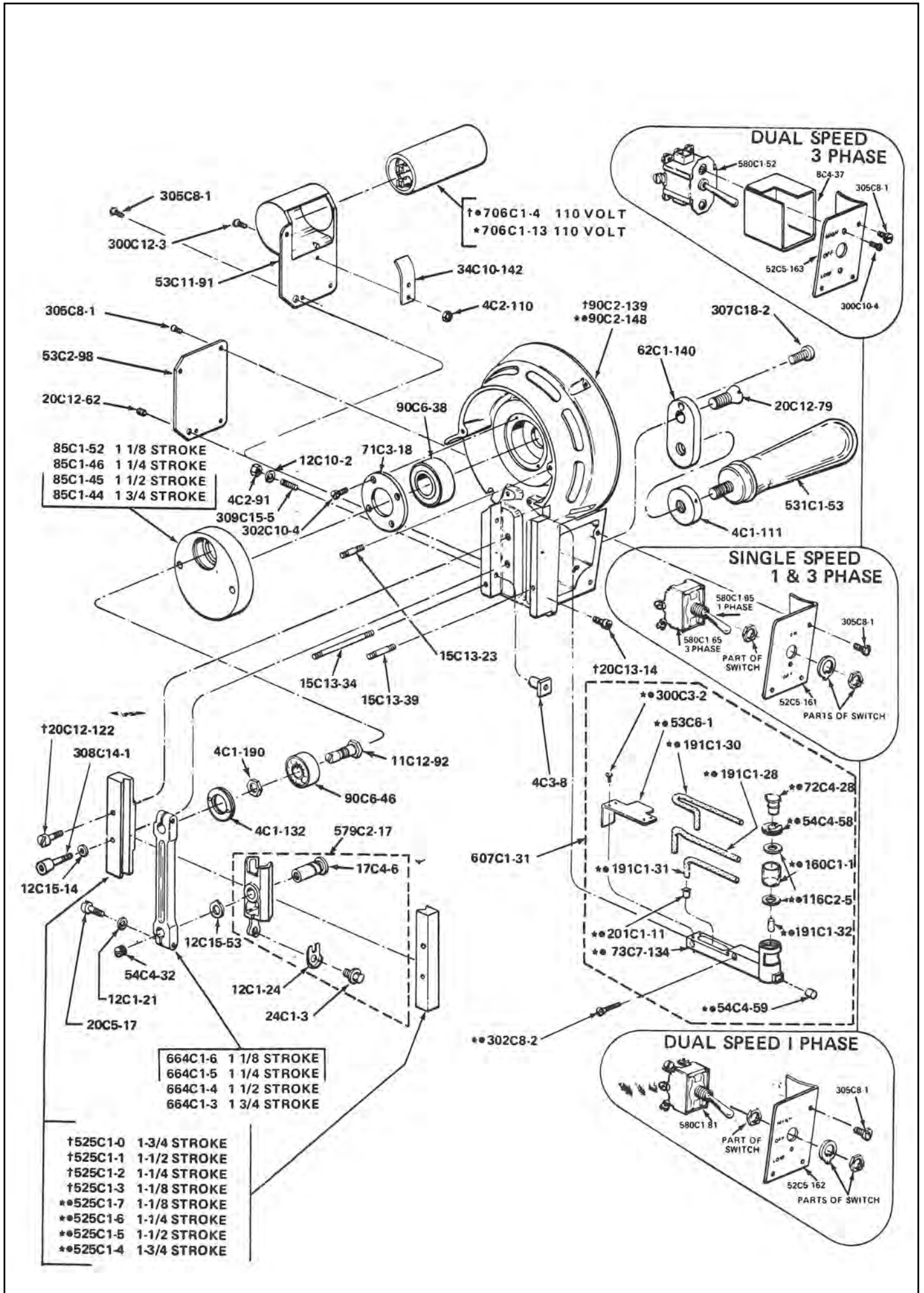


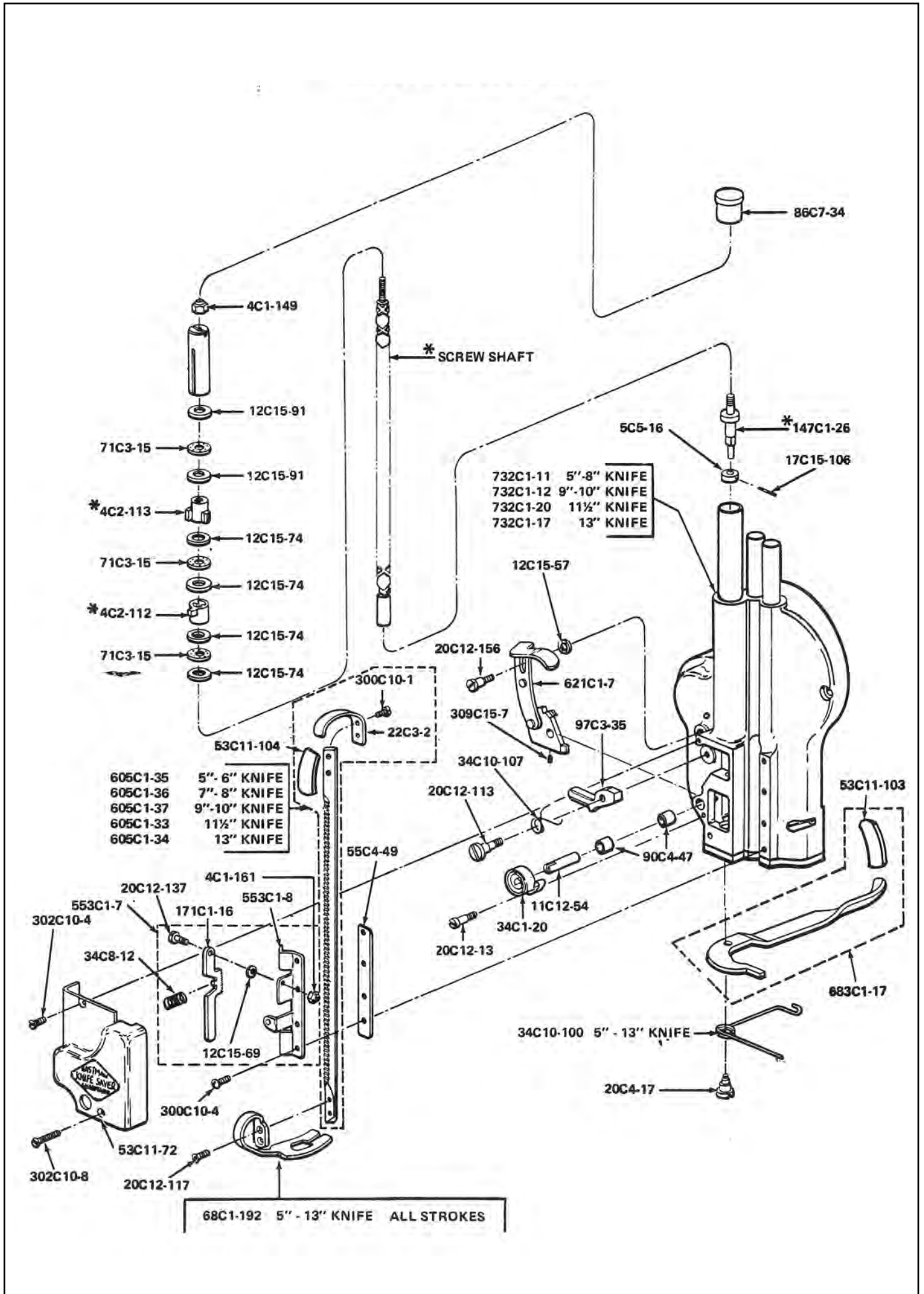
RICAMBI EASTMAN



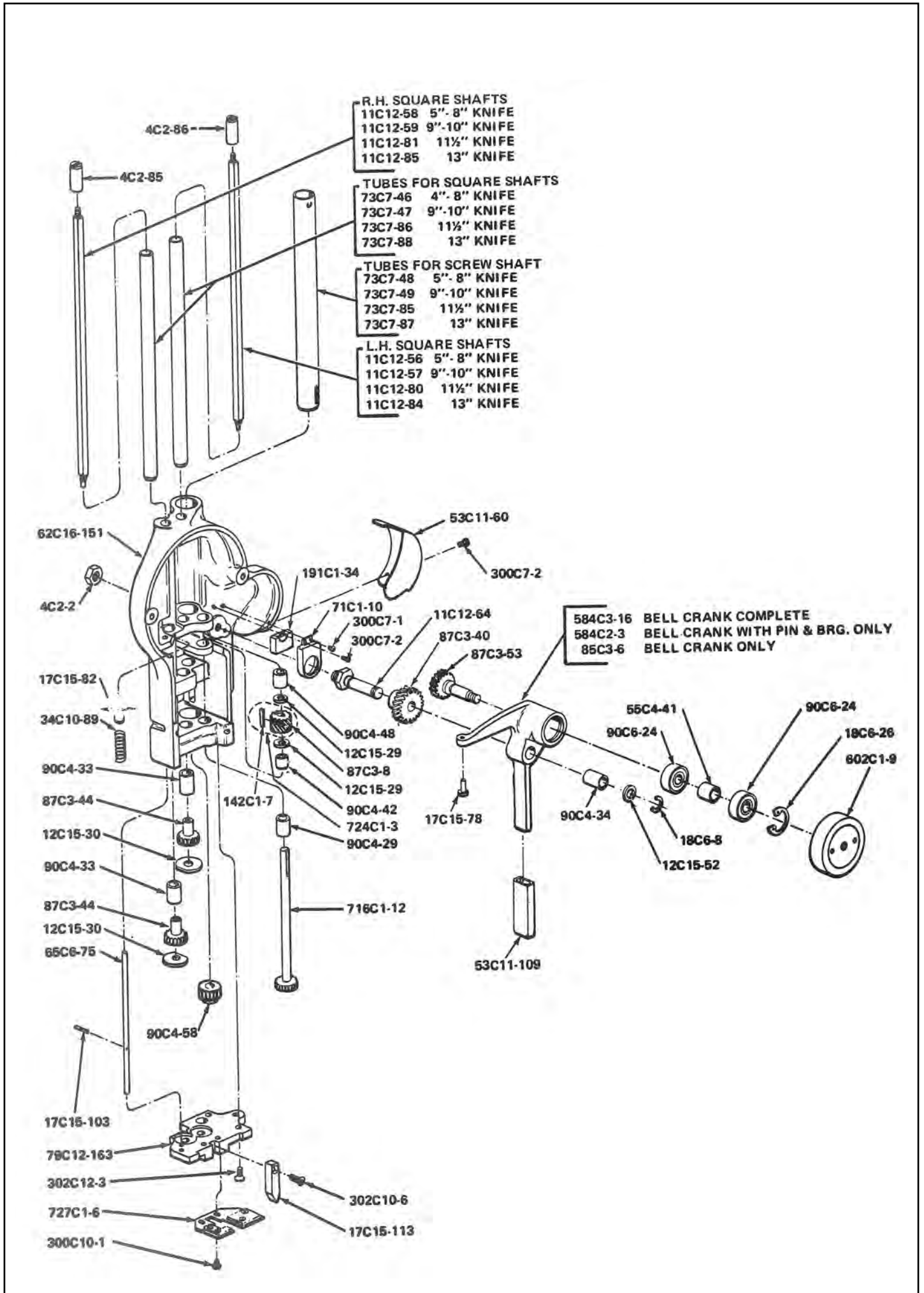
RICAMBI EASTMAN



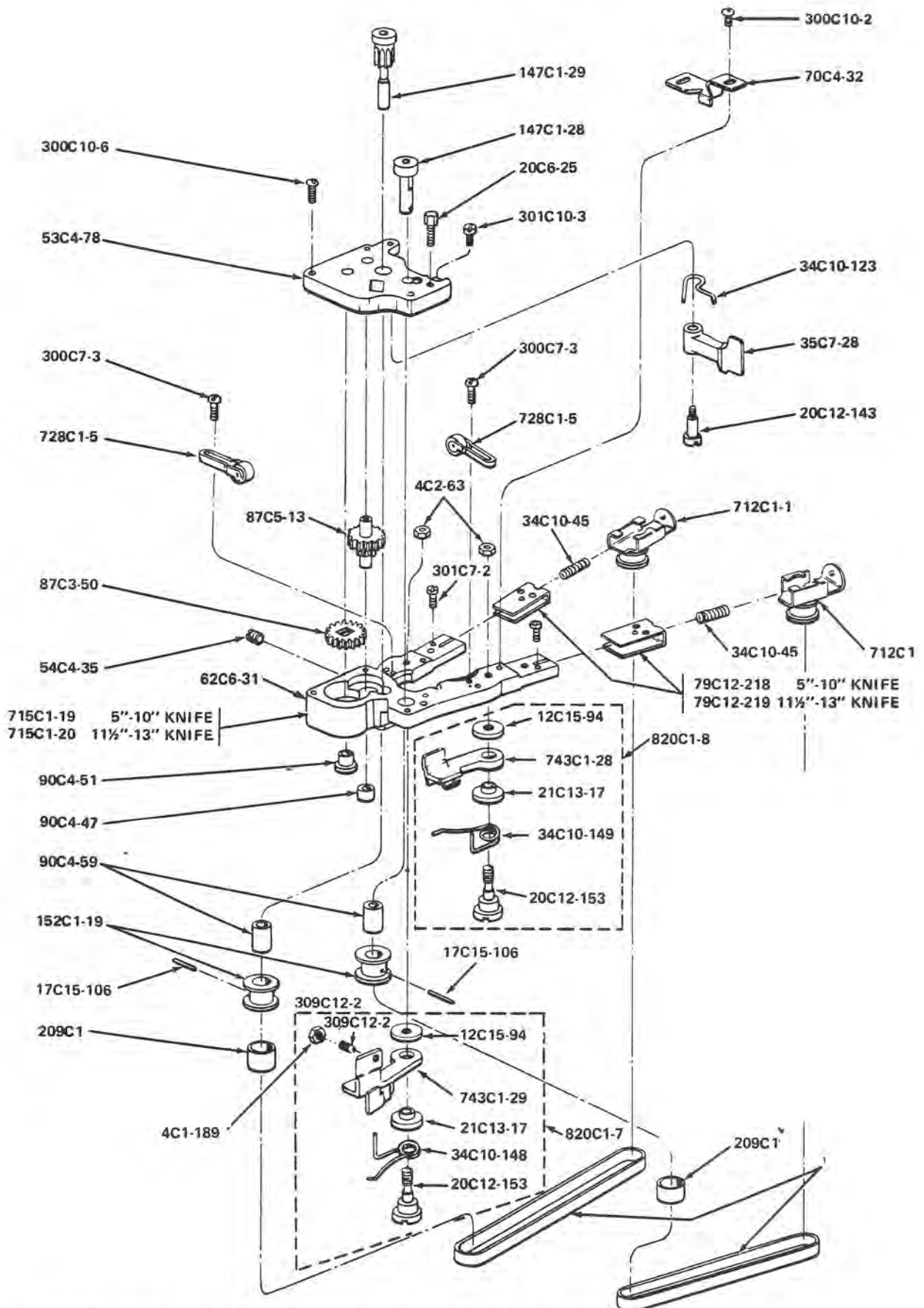
RICAMBI EASTMAN



RICAMBI EASTMAN



RICAMBI EASTMAN

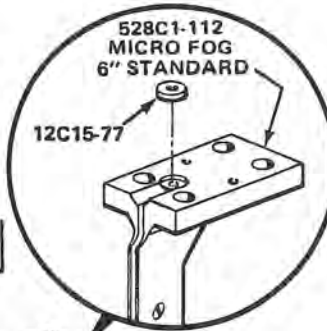


715C1-22 LOWER GEAR BRACKET ASSEMBLY COMPLETE FOR 5"-10" KNIFE
 715C1-23 LOWER GEAR BRACKET ASSEMBLY COMPLETE FOR 11 1/2"-13" KNIFE

RICAMBI EASTMAN

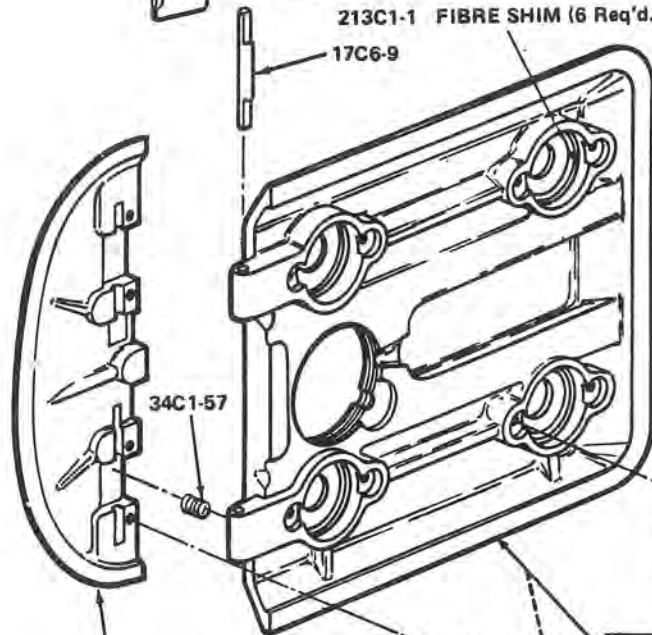
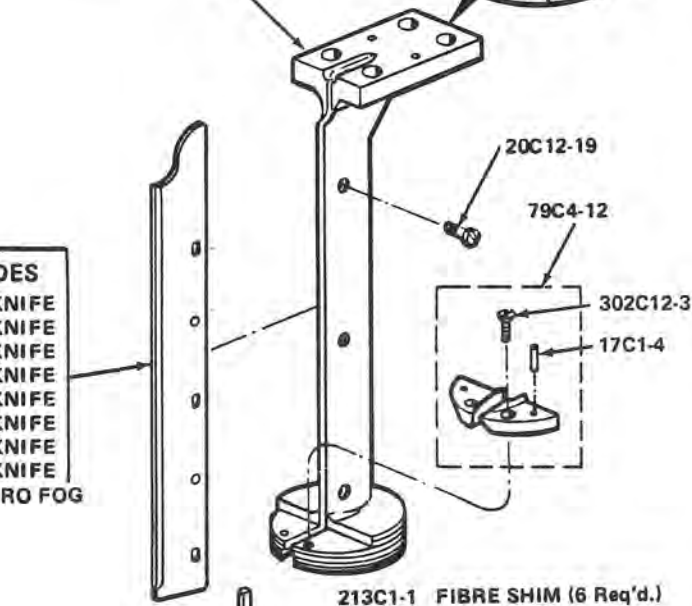
STANDARDS COMPLETE W/SLIDES

528C1-123	5" STANDARD
528C1-120	6" STANDARD
528C1-122	7" STANDARD
528C1-121	8" STANDARD
528C1-115	9" STANDARD
528C1-116	10" STANDARD
528C1-124	11½" STANDARD
528C1-125	13" STANDARD



KNIFE SLIDES

643C1-44	5" KNIFE
643C1-41	6" KNIFE
643C1-42	7" KNIFE
643C1-43	8" KNIFE
643C1-46	9" KNIFE
643C1-47	10" KNIFE
643C1-53	11½" KNIFE
643C1-45	13" KNIFE
643C1-51	6" MICRO FOG



OPTIONAL
 532C2-3 RUBBER MOUNTED WIDE ROLLER
 532C2-5 RUBBER MOUNTED ROLLER
 (For All Machines Except Noted Below)
 532C2-7 RUBBER MOUNTED ROLLER
 (For 50 CY. 1500 R.P.M. and Dual Speed Machines Only)

505C3-223 SMALL PLATE FOR 5"-8" KNIVES
 505C3-224 LARGE PLATE FOR 9"-13" KNIVES

60C1-55 FOR SMALL PLATES
 60C1-56 FOR LARGE PLATES

12C1-35

20C13-51

FOR 50 CY. 1500 R.P.M. & DUAL SPEED MACHINES ONLY
 505C3-226 SMALL PLATE FOR 5"-8" KNIVES
 505C3-227 LARGE PLATE FOR 9"-13" KNIVES