

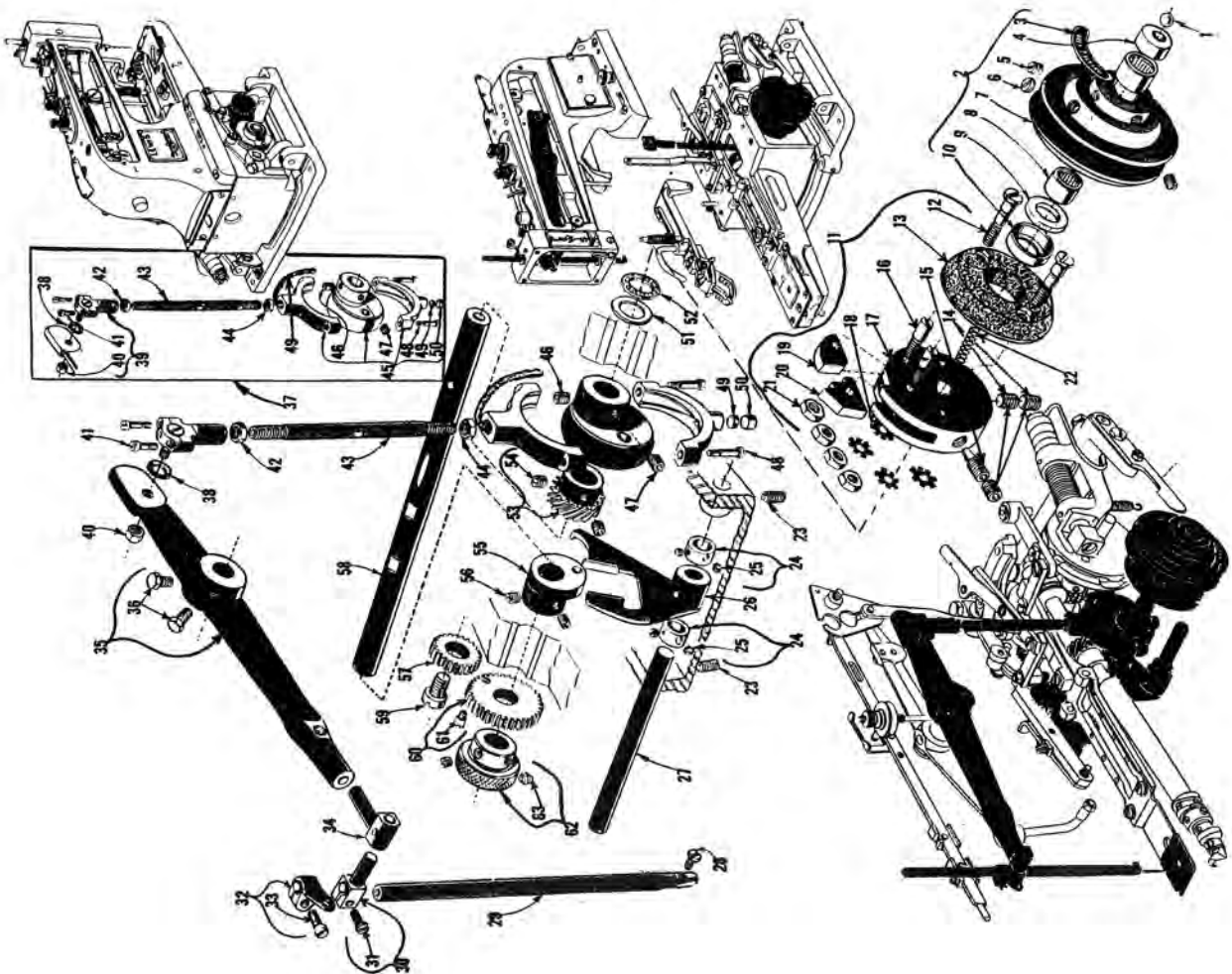
RICAMBI LEWIS

NEEDLE DRIVE, CLUTCH, STOP MOTION PARTS

| Ref. No. | Part No. | Description | Ant. Req. |
|----------|----------|---|-----------|
| 1 | 79-37 | Ball | 1 |
| 2 | 458-39 | Pulley Assembly, complete | 1 |
| 3 | 98-221 | Instruction Label | 1 |
| 4 | 190-2 L | Pulley Insert | 1 |
| 5 | 1005 L | Set Screw | 2 |
| 6 | 18-800 | Set Screw | 1 |
| 7 | 58-39 | Pulley | 1 |
| 8 | 478-10 | Needle Bearing | 2 |
| 9 | 63-32 | Grease Retaining Wick | 1 |
| 10 | 40-169 | Retaining Washer | 1 |
| 11 | 444-280 | Screw | 1 |
| 12 | 18-982 | Pulley Clutch Disc | 2 |
| 13 | 44-388 | Set Screw | 1 |
| 14 | 18-967 | Spot Screw | 3 |
| 15 | 18-958 | Screw | 1 |
| 16 | 18-959 | Screw | 2 |
| 17 | 44-280 | Stop Motion Disc | 1 |
| 18 | 652 N-14 | Eccentric Washer | 4 |
| 19 | 51-20 | Stop Motion Disc Latch | 1 |
| 20 | 166-7 | Stop Motion Disc Pawl | 1 |
| 21 | 30-127 | Nut | 4 |
| 22 | 21-229 | Spring | 1 |
| 23 | 1003 L | Set Screw | 2 |
| 24 | CS482 | Collar | 2 |
| 25 | 1022 L | Set Screw | 2 |
| 26 | 445-298 | Lever Engaging Button Clamp Lifting Link | 1 |
| 27 | 14-362 | Lever Shaft | 1 |
| 28 | 18-272 | Screw | 1 |
| | *18-725 | Set Screw, headless, for needle longer than our longest standard, or needle bar turned 180° | 1 |
| 29 | 25-11 | Needle Bar | 1 |
| 30 | 117-40 | Needle Bar Bearing Block Clamp | 1 |
| 31 | 18-71 | Screw | 1 |
| 32 | 41-47 | Needle Bar Bearing Block | 1 |
| 33 | 18-907 | Screw | 1 |
| 34 | 117-39 | Needle Bar Thread Guide | 1 |
| 35 | 45-335 | Needle Bar Bearing Block | 1 |
| 36 | 1333 L | Needle Bar Lever | 1 |
| 37 | 447-105 | Set Screw | 2 |
| 38 | 40-63 | Washer | 1 |
| 39 | 4124-50 | Needle Bar Connecting Rod, complete | 1 |
| 40 | 1009 L | Ball Joint, upper, complete | 1 |
| 41 | 18-391 | Nut | 3 |
| 42 | 20-90 | Screw | 2 |
| 43 | 71-74 | Rod | 1 |
| 44 | 20-81 | Nut | 1 |
| 45 | 4124-49 | Ball Joint, lower, complete | 1 |
| 46 | 18-968 | Spot Screw | 1 |
| 47 | 18-730 | Set Screw | 1 |
| 48 | 18-925 | Screw | 2 |
| 49 | | Oil Wick | 1 |
| 50 | 137-19 | Oil Wick Retainer | 1 |
| 51 | 40-135 | Washer | 1 |
| 52 | 478-8 | Ball Bearing | 1 |
| 53 | 27-169 | Driving Gear, for looper shaft | 1 |
| 54 | 18-986 | Set Screw | 1 |
| 55 | 433-139 | Button Clamp Lifting Link Lever Driving Eccentric, complete | 2 |
| 56 | 1005 L | Set Screw | 2 |
| 57 | 27-171 | Set Screw | 1 |
| | | Intermediate Spur Gear, for Styles 200-1, -2, -6, -7, -8, -9, -21, -22, -23, -24, -25, -27 | 1 |
| 58 | 14-363 | Pulley Shaft | 1 |
| 59 | 18-878 | Screw, for Styles 200-1, -2, -6, -7, -8, -9, -21, -22, -23, -24, -25, -27 | 1 |
| 60 | 27-170 | Spur Gear, for Styles 200-1, -2, -6, -7, -8, -9, -21, -22, -23, -24, -25, -27 | 1 |
| 61 | 18-39 | Screw | 1 |
| 62 | 57-23 | Handwheel | 1 |
| 63 | 1025 L | Set Screw | 2 |

* Available as extra send and charge item.

KL 200



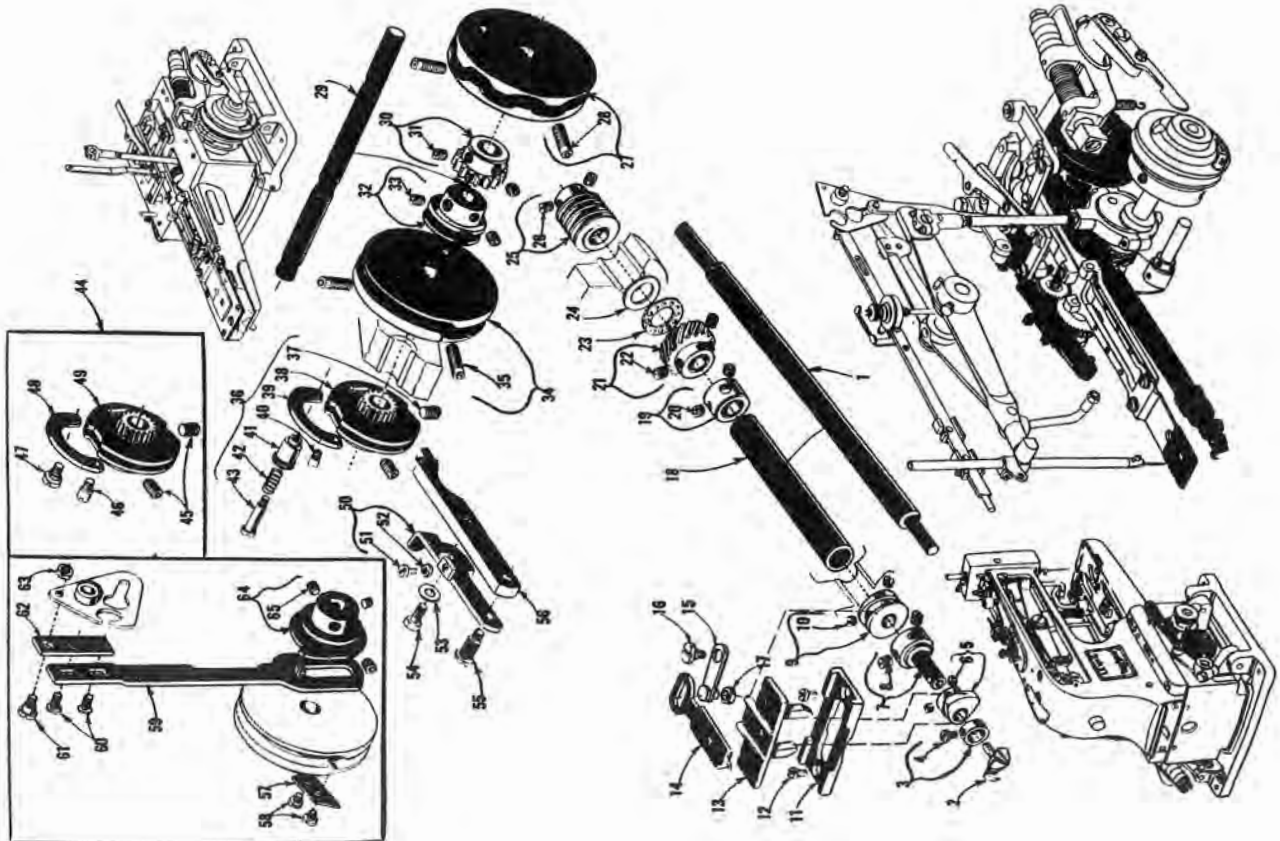
RICAMBI LEWIS

CAMS, LOOPER DRIVE, STITCH SELECTING PARTS

| Ref. No. | Part No. | Description | Amnt. | Req. |
|----------|----------|---|-------|------|
| 1 | 14-366 | Looper Shaft | 1 | 1 |
| 2 | 36-20 | Looper | 1 | 1 |
| 3 | 39-143 | Collar | 1 | 1 |
| 4 | 18-949 | Looper Clamping Screw | 1 | 1 |
| 5 | 43-43 | Loop Positioning Finger Cam, complete | 1 | 1 |
| 6 | 43-43 | Set Screw | 1 | 1 |
| 7 | 70-50 | Cam and Looper Sleeve | 1 | 1 |
| 8 | 1005 L | Set Screw | 2 | 2 |
| 9 | 34-47 | Loop Positioning Finger Cam | 1 | 1 |
| 10 | 1029 L | Set Screw | 2 | 2 |
| 11 | 100-1 L | Yoke Slide Insert, for Styles 200-1, -2, -6, -7, -8, -9, -16, -17, -21, -22, -23, -24, -25, -26, -27 | 1 | 1 |
| 12 | 18-812 | Yoke Slide Insert, for Styles 200-10, -15 | 1 | 1 |
| 13 | 18-812 | Screw, for Styles 200-1, -2, -6, -7, -8, -9, -16, -17, -21, -22, -23, -24, -25, -26, -27 | 2 | 2 |
| 14 | 18-949 | Positioning Finger Yoke Slide, for Styles 200-1, -2, -6, -7, -8, -9, -16, -17, -21, -22, -23, -24, -25, -26, -27 | 1 | 1 |
| 15 | 48-33 | Positioning Finger Yoke Slide, for Styles 200-10, -15 | 1 | 1 |
| 16 | 42-25 | Loop Positioning Finger | 1 | 1 |
| 17 | 48-33 | Loop Positioning Finger | 1 | 1 |
| 18 | 18-934 | Loop Positioning Finger Lever Bolt | 1 | 1 |
| 19 | 35-20 | Loop Positioning Finger Lever Bolt | 1 | 1 |
| 20 | 39-131 | Looper Shaft Tube | 1 | 1 |
| 21 | 18-998 | Looper Shaft Collar | 1 | 1 |
| 22 | 18-998 | Set Screw | 2 | 2 |
| 23 | 18-998 | Set Screw | 2 | 2 |
| 24 | 476-8 | Loop Shaft Driven Gear | 1 | 1 |
| 25 | 40-135 | Ball Bearing | 1 | 1 |
| 26 | 18-998 | Washer | 1 | 1 |
| 27 | 18-984 | Driving Gear, for camshaft (See Chart Below) | 2 | 2 |
| 28 | 18-984 | Set Screw | 2 | 2 |
| 29 | 14-364 | Cam, right side (See Chart Below) | 1 | 1 |
| 30 | 18-986 | Camshaft Driven Gear (See Chart Below) | 1 | 1 |
| 31 | 39-107 | Set Screw | 2 | 2 |
| 32 | 18-730 | Collar | 1 | 1 |
| 33 | 18-730 | Set Screw | 2 | 2 |
| 34 | 18-984 | Cam, left side (See Chart Below) | 1 | 1 |
| 35 | 434-42 | Set Screw | 2 | 2 |
| 36 | 18-730 | Stop Motion Cam and Gear Assembly, complete with shoe and knob, for Styles 200-1, -2, -6, -7, -8, -9, -10, -16, -17, -21, -22, -23, -24, -26, -27 | 1 | 1 |
| 37 | 434-42-1 | Set Screw | 2 | 2 |
| 38 | 18-2 | Shoe | 1 | 1 |
| 39 | 18-2 | Shoe | 1 | 1 |
| 40 | 142-9 | Knob | 1 | 1 |
| 41 | 142-9 | Knob | 1 | 1 |
| 42 | 21-322 | Spring | 1 | 1 |
| 43 | 18-835 | Screw | 1 | 1 |
| 44 | 434-42-2 | Stop Motion Cam and Gear Assembly, complete with shoe, for Styles 200-15, -25 | 1 | 1 |
| 45 | 18-730 | Set Screw | 2 | 2 |
| 46 | 18-39 | Screw | 1 | 1 |
| 47 | 18-39 | Screw | 1 | 1 |
| 48 | 180-239 | Shoe | 1 | 1 |
| 49 | 434-42-1 | Stop Motion Cam and Gear | 1 | 1 |
| 50 | 51-22 | Latch, for Styles 200-1, -2, -6, -7, -8, -9, -10, -16, -17, -21, -22, -23, -24, -25, -27 | 1 | 1 |
| 51 | 1170 L | Screw | 1 | 1 |
| 52 | 1311 L | Nut | 1 | 1 |
| 53 | 18 | Washer, for Styles 200-1, -2, -6, -7, -8, -9, -10, -16, -17, -21, -22, -23, -24, -25, -27 | 1 | 1 |
| 54 | 18-629 | Screw, for Styles 200-1, -2, -6, -7, -8, -9, -10, -16, -17, -21, -22, -23, -24, -25, -27 | 1 | 1 |
| 55 | 18-619 | Screw, for Styles 200-1, -2, -6, -7, -8, -9, -10, -16, -17, -21, -22, -23, -24, -25, -27 | 1 | 1 |
| 56 | 45-331 | Lever, for Styles 200-1, -2, -6, -7, -8, -9, -10, -16, -17, -21, -22, -23, -24, -25, -27 | 1 | 1 |
| 57 | 188-11 | Thread Cutter Operating Pawl, for Styles 200-10, -15 | 1 | 1 |
| 58 | CS337 | Screw, for Styles 200-10, -15 | 1 | 1 |
| 59 | 18-168 | Nipper Bar Operating Link, lower, for Style 200-10 | 2 | 2 |
| 60 | 18-239 | Nipper Bar Operating Link, upper, for Style 200-10 | 2 | 2 |
| 61 | 881 L | Screw, for Style 200-10 | 1 | 1 |
| 62 | 48-169 | Nipper Bar Operating Link, upper, for Style 200-10 | 1 | 1 |
| 63 | 1180 L | Nut, for Style 200-10 | 1 | 1 |
| 64 | 34-65 | Nipper Bar Operating Cam, for Style 200-10 | 1 | 1 |
| 65 | 18-996 | Set Screw | 1 | 1 |

| STYLE NO. | DET. 30 Driven | DET. 35 Driving | DET. 34 Left | DET. 37 Right |
|-----------|----------------|-----------------|--------------|---------------|
| 200-1 | 27-155 | 27-189 | 200-1 | 34-53 |
| 200-2 | 27-191 | 27-180 | 34-35 | 34-54 |
| 200-5 | 27-155 | 27-188 | 34-71 | 34-53 |
| 200-6 | 27-155 | 27-188 | 34-71 | 34-53 |
| 200-8 | 27-155 | 27-188 | 34-63 | 34-53 |
| 200-9 | 27-191 | 27-190 | 34-69 | 34-53 |
| 200-10 | 27-155 | 27-189 | 34-75 | 34-53 |
| 200-15 | 27-155 | 27-189 | 34-91 | 34-53 |
| 200-16 | 27-155 | 27-189 | 34-81 | None |
| 200-17 | 27-191 | 27-180 | 34-92 | None |
| 200-21 | 27-191 | 27-180 | 34-93 | None |
| 200-22 | 27-191 | 27-190 | 34-73 | 34-54 |
| 200-23 | 27-155 | 27-189 | 34-35 | 34-53 |
| 200-24 | 27-191 | 27-190 | 34-35 | 34-54 |
| 200-25 | 27-155 | 27-189 | 34-35 | 34-55 |
| 200-26 | 27-228 | 27-225 | 34-35 | 34-56 |
| 200-27 | 27-195 | 27-189 | 34-35 | 34-55 |

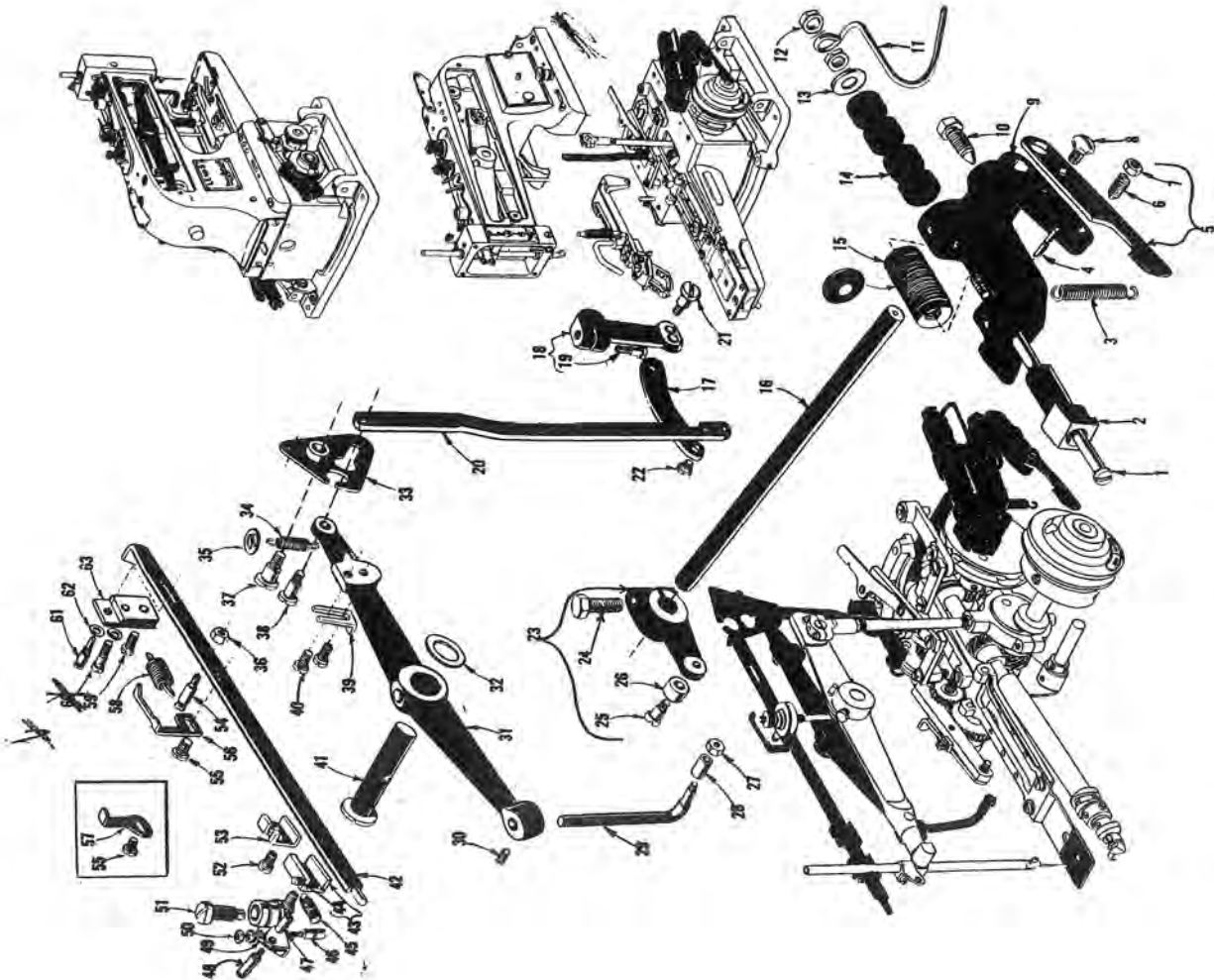
RICAMBI ORIGINALI A RICHIESTA



RICAMBI LEWIS

BUTTON CLAMP LIFTER, STOP MOTION, NIPPER PARTS

| Ref. No. | Part No. | Description | Ami Rec |
|----------|----------|---|---------|
| 1 | 71-82 | Stop Motion Plunger Rod | 1 |
| 2 | 26-163 | Stop Motion Plunger | 1 |
| 3 | 21-360 | Stop Motion Lever Restoring Spring | 1 |
| 4 | 22-286 | Stop Motion Lever Restoring Spring Pin | 1 |
| 5 | 45-302 | Lever for Applying Pressure on Stop Motion Disc | 1 |
| 6 | 18-747 | Spot Screw | 1 |
| 7 | 20-34 | Nut | 1 |
| 8 | 18-280 | Screw | 1 |
| 9 | 45-348 | Stop Motion Plunger Lever | 1 |
| 10 | 18-519 | Screw | 1 |
| 11 | 8-126 | Stop Motion Plunger Rod Guard | 1 |
| 12 | 20-128 | Nut | 2 |
| 13 | 652-16 | Washer | 1 |
| 14 | 40-190 | Washer | 4 |
| 15 | 21-416 | Stop Motion Disc Spring | 1 |
| 16 | 14-355 | Stop Motion Lever Shaft for Styles 200-1, -2, -6, -7, -8, -9, -16, -17, -21, -22, -23, -24, -25, -26, -27 | 30 |
| 17 | 14-488 | Stop Motion Lever Shaft for Styles 200-10, -15 | 1 |
| 18 | 46-135 | Link for Styles 200-1, -2, -8, -9, -16, -17, -23, -24, -25, -26, -27 | 1 |
| 19 | 46-175 | Link for Styles 200-6, -7, -10, -21, -22 | 1 |
| 20 | 445-286 | Lever, complete, engaging button clamp lifting link | 1 |
| 21 | 1206 L | Clamp Screw | 1 |
| 22 | 46-162 | Button Clamp Lifting Link | 1 |
| 23 | 18-392 | Screw | 1 |
| 24 | 18-809 | Screw | 1 |
| 25 | 445-370 | Stop Motion Tripping Lever | 1 |
| 26 | 18-739 | Clamp Screw | 1 |
| 27 | 35-18 | Screw | 1 |
| 28 | 835 L | Stop Motion Tripping Lever Cam Roll | 1 |
| 29 | 35-17 | Nut | 1 |
| 30 | 71-73 | Button Clamp Lifting Rod Roll | 1 |
| 31 | 1005 L | Button Clamp Lifting Rod | 1 |
| 32 | 45-285 | Set Screw | 1 |
| 33 | 40-143 | Button Clamp Lifting Lever | 1 |
| 34 | 445-405 | Washer | 1 |
| 35 | 21-86 | Nipper Bar Actuating Lever | 1 |
| 36 | 40-168 | Spring | 1 |
| 37 | 835 L | Washer | 1 |
| 38 | 18-562 | Nut | 1 |
| 39 | 18-619 | Screw | 1 |
| 40 | 42-21 | Button Clamp Lifting Lever Stop | 1 |
| 41 | 18-330 | Screw | 2 |
| 42 | 14-368 | Button Clamp Lifting Lever Shaft | 1 |
| 43 | 136-15 | Nipper Bar | 1 |
| 44 | 4115-104 | Nipper Bar Block, complete | 1 |
| 45 | 22-235 | Spring Pin | 1 |
| 46 | 21-366 | Spring | 1 |
| 47 | 18-995 | Spring Screw | 1 |
| 48 | 20-114 | Nut | 1 |
| 49 | 18-823 | Screw Stud | 1 |
| 50 | 4187-1 | Thread Nipper | 1 |
| 51 | 20-13 | Nut | 2 |
| 52 | 782 L | Screw | 1 |
| 53 | 18-750 | Screw | 2 |
| 54 | 115-106 | Nipper Bar Block | 1 |
| 55 | 18-827 | Spring Screw | 1 |
| 56 | 18-750 | Screw | 1 |
| 57 | 45-327 | Thread Tension Releasing Lever | 1 |
| 58 | 45-404 | Automatic Tension Opening Lever for Style 200-10 | 1 |
| 59 | 21-378 | Nipper Bar Spring | 1 |
| 60 | 1158 L | Screw | 1 |
| 61 | 1206 L | Screw | 1 |
| 62 | 18-828 | Screw | 1 |
| 63 | 1185 L | Washer | 2 |
| | 115-110 | Nipper Bar Bearing Block | 1 |

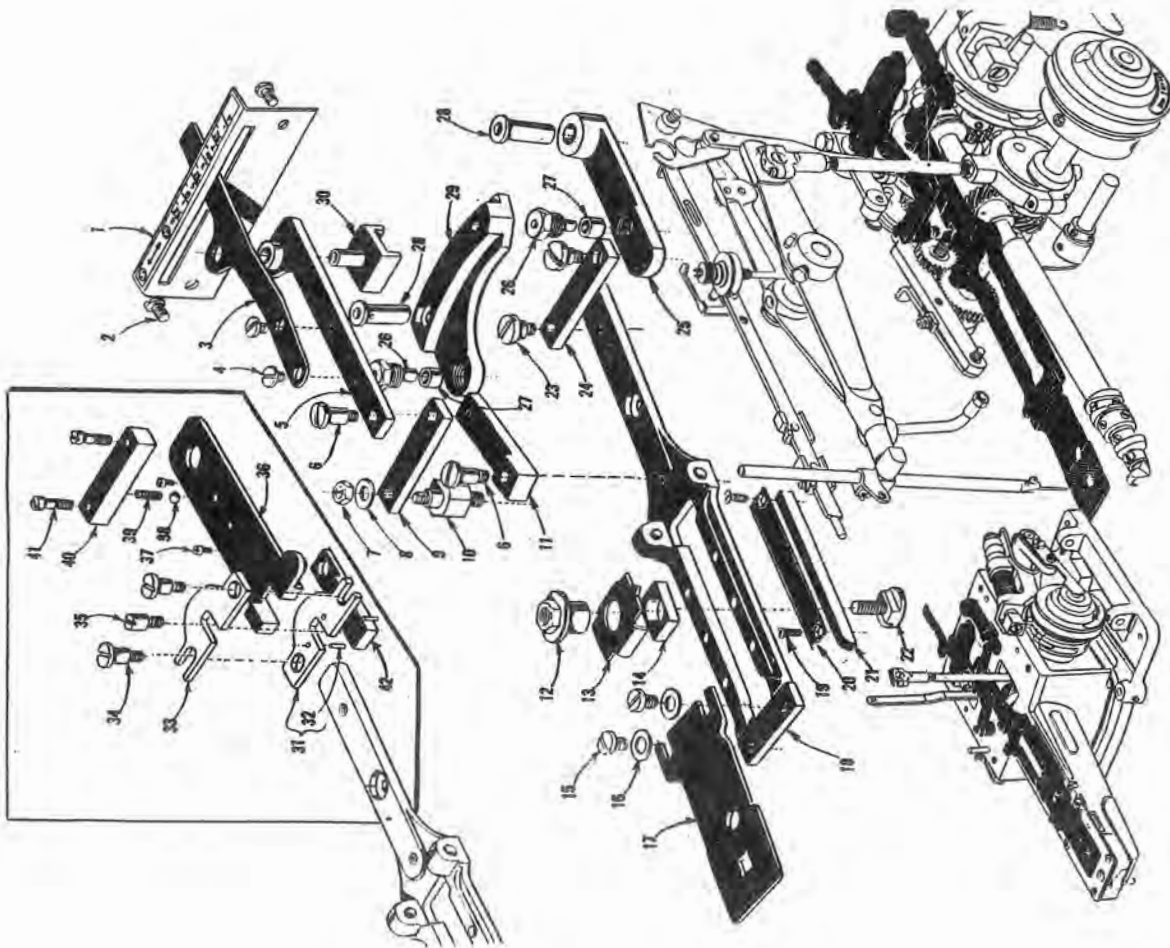


RICAMBI LEWIS

FEED PLATE AND BUTTON CLAMP POSITIONING PARTS

| Ref. No. | Part No. | Description | Amt. Req. |
|----------|------------|---|-----------|
| 1 | 110-208 | Graduated Plate for Styles 200-1, -2, -10, -15, -23, -24, -25, -26, -27 | 1 |
| 2 | 110-318 | Graduated Plate for Styles 200-8, -9, -18, -17 | 1 |
| 3 | 110-328 | Graduated Plate for Styles 200-6, -7, -21, -22 | 1 |
| 4 | 18-260 | Screw | 2 |
| 5 | 21-287 | Handle and Indicator Spring | 2 |
| 6 | CS337 | Screw | 2 |
| 7 | 446-136 | Link | 2 |
| 8 | 18-819 | Nut | 2 |
| 9 | 1160 L | Washer | 1 |
| 10 | 40-38 | Link | 1 |
| 11 | 46-137 | Stud | 1 |
| 12 | 17-124 | Link | 1 |
| 13 | 46-138 | Link | 1 |
| 14 | 20-109 | Nut for Styles 200-1, -2, -6, -7, -8, -9, -10, -15, -21, -22, -23, -24, -25, -26, -27 | 2 |
| 15 | 155-14 | Indicator for Styles 200-1, -2, -6, -7, -8, -9, -10, -15, -21, -22, -23, -24, -25, -26, -27 | 1 |
| 16 | 89-17 | Bearing Block for Styles 200-1, -2, -6, -7, -8, -9, -10, -15, -21, -22, -23, -24, -25, -26, -27 | 2 |
| 17 | LS313 | Screw for Styles 200-1, -2, -6, -7, -8, -9, -10, -15, -21, -22, -23, -24, -25, -26, -27 | 2 |
| 18 | 40-139 | Washer for Styles 200-1, -2, -6, -7, -8, -9, -10, -15, -21, -22, -23, -24, -25, -26, -27 | 2 |
| 19 | 24-244 | Feed Plate for Styles 200-1, -2, -6, -7, -8, -9, -10, -15, -21, -22, -23, -24, -25, -26, -27 | 1 |
| 20 | 24-281 | Feed Plate, for Style 200-27 | 1 |
| 21 | 158-9 | Slide Plate for Styles 200-1, -2, -10, -15, -23, -24, -25, -26, -27 | 1 |
| 22 | 158-17 | Slide Plate for Styles 200-16, -17 | 1 |
| 23 | 158-19 | Slide Plate for Styles 200-5, -7, -8, -9, -21, -22 | 1 |
| 24 | 18-966 | Screw for Styles 200-1, -2, -6, -7, -8, -9, -10, -15, -21, -22, -23, -24, -25, -26, -27 | 2 |
| 25 | 110-205 | Graduated Plate for Styles 200-1, -2, -6, -7, -8, -9, -10, -15, -21, -22, -23, -24, -25, -26, -27 | 1 |
| 26 | 115-108 | Block for Styles 200-1, -2, -6, -7, -8, -9, -10, -15, -21, -22, -23, -24, -25, -26, -27 | 1 |
| 27 | 18-818 | Screw for Styles 200-1, -2, -6, -7, -8, -9, -10, -15, -21, -22, -23, -24, -25, -26, -27 | 2 |
| 28 | 18-819 | Screw for Styles 200-16, -17 | 2 |
| 29 | 18-392 | Screw for Styles 200-1, -2, -10, -15, -23, -24, -25, -26, -27 | 2 |
| 30 | 46-137 | Link for Styles 200-1, -2, -10, -15, -23, -24, -25, -26, -27 | 1 |
| 31 | 45-290 | Lever for Styles 200-1, -2, -6, -7, -8, -9, -10, -15, -21, -22, -23, -24, -25, -26, -27 | 1 |
| 32 | 18-814 | Screw for Styles 200-1, -2, -6, -7, -8, -9, -10, -15, -21, -22, -23, -24, -25, -26, -27 | 1 |
| 33 | 18-814 | Screw for Styles 200-16, -17 | 2 |
| 34 | 38-15 | Cam Roll for Styles 200-1, -2, -6, -7, -8, -9, -10, -15, -21, -22, -23, -24, -25, -26, -27 | 2 |
| 35 | 22-219 | Cam Roll for Styles 200-16, -17 | 1 |
| 36 | 45-288 | Pin for Styles 200-1, -2, -6, -7, -8, -9, -10, -15, -21, -22, -23, -24, -25, -26, -27 | 2 |
| 37 | 45-416 | Lever for Styles 200-1, -2, -15, -16, -17, -23, -24, -25, -26, -27 | 1 |
| 38 | 89-16 | Slide Block | 1 |
| 39 | 446-173 | Bottom Link, complete, for Styles 200-6, -7, -8, -9, -21, -22 | 1 |
| 40 | 22-C214-13 | Pin | 2 |
| 41 | 46-173 | Top Link for Styles 200-6, -7, -8, -9, -21, -22 | 1 |
| 42 | 18-1023 | Screw for Styles 200-6, -7, -8, -9, -21, -22 | 2 |
| 43 | 18-1022 | Screw for Styles 200-6, -7, -8, -9, -21, -22 | 1 |
| 44 | 4110-329 | Slide Plate for Styles 200-6, -7, -21, -22 | 1 |
| 45 | 4110-317 | Slide Plate for Styles 200-8, -9 | 1 |
| 46 | 79-31 | Stop Screw for Styles 200-6, -7, -8, -9, -21, -22 | 2 |
| 47 | 21-300 | Ball for Styles 200-6, -7, -8, -9, -21, -22 | 1 |
| 48 | 115-137 | Block for Styles 200-6, -7, -8, -9, -21, -22 | 1 |
| 49 | 18-766 | Screw for Styles 200-6, -7, -8, -9, -21, -22 | 2 |
| 50 | 46-174 | Link for Styles 200-8, -9, -21, -22 | 1 |

RICAMBI LEWIS 200

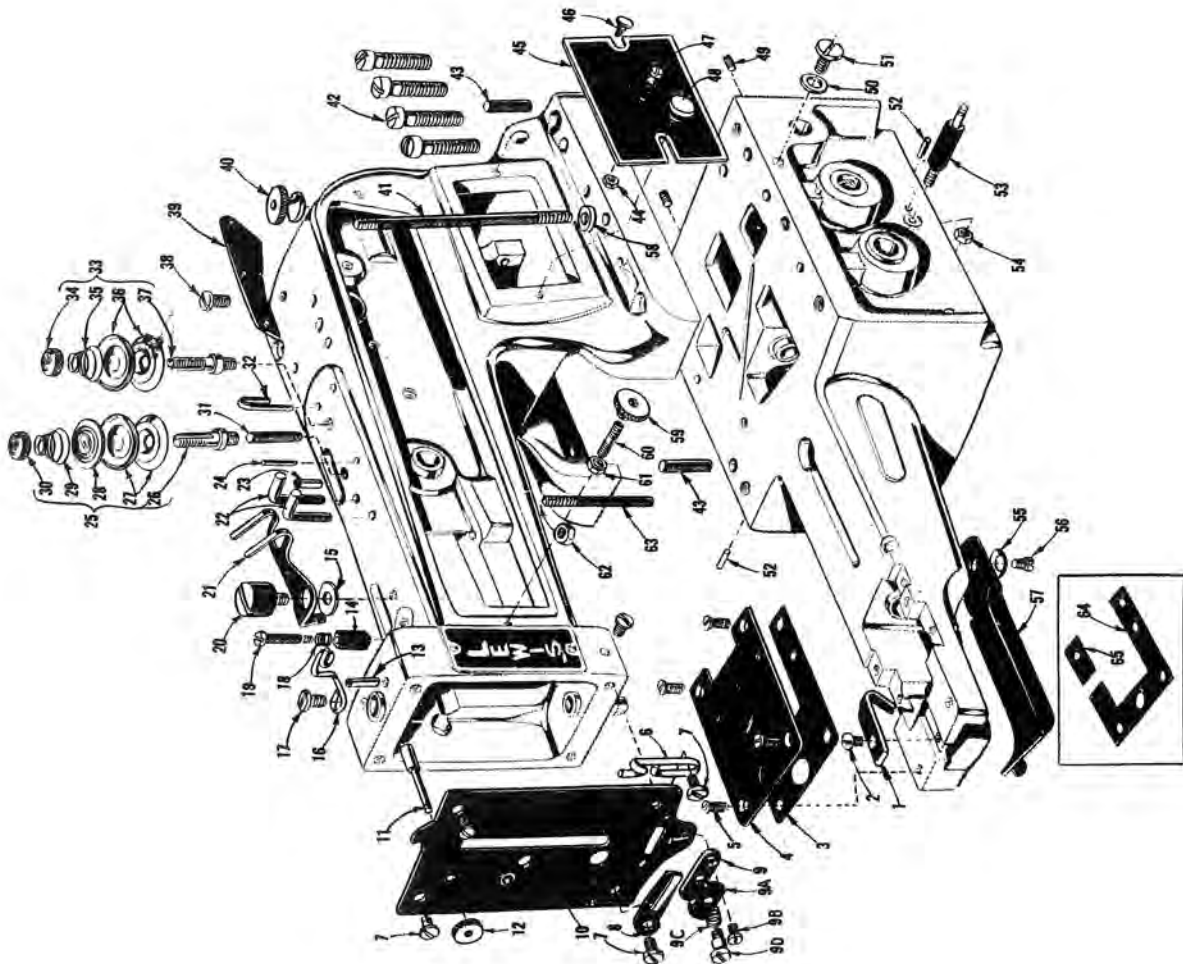


RICAMBI LEWIS

MISCELLANEOUS PLATES, THREAD HANDLING PARTS

| Ref. No. | Part No. | Description | Amt. Req. |
|----------|----------|---|-----------|
| 1 | 8-111 | Needle Guard | 1 |
| 2 | 18-750 | Screw | 1 |
| 3 | 110-213 | Spacer Plate for Styles 200-1, -2, -6, -7, -8, -9, -16, -17, -21, -22, -23, -24, -25, -26, -27 | 1 |
| 4 | 110-302 | Needle Plate for Styles 200-1, -2, -10, -15, -16, -17, -23, -24, -25, -26, -27 | 1 |
| 5 | 110-304 | Needle Plate for Styles 200-6, -7, -8, -9, -21, -22 | 1 |
| 6 | 18-920 | Screw | 4 |
| 7 | 51768 | Thread Guide | 1 |
| 8 | 18-330 | Screw | 5 |
| 9 | 62271 C | Thread Guide | 1 |
| 9A | 99-345 | Needle Thread Nipper Holder | 1 |
| 9B | 97 WB | Needle Thread Nipper Spring Plate | 1 |
| 9C | 18-1077 | Screw | 1 |
| 9D | 21-381 | Screw | 1 |
| 10 | 18-1078 | Spring | 1 |
| 11 | 432-263 | Machine Arm Front Cover | 1 |
| 12 | 26-147 | Nipper Releasing Plunger | 1 |
| 13 | 20-98 | Knurled Thumb Nut | 1 |
| 14 | 61-33 | Oil Tube | 1 |
| 15 | 115-107 | Nipper Block | 1 |
| 16 | 40-188 | Washer | 1 |
| 17 | 41-49 | Thread Guide | 1 |
| 18 | 18-997 | Screw | 1 |
| 19 | 21-310 | Spring | 1 |
| 20 | 18-854 | Screw | 1 |
| 21 | 18-1050 | Bearing Screw | 1 |
| 22 | 45-434 | Thread Pull-off Lever | 1 |
| 23 | 41-41 | Thread Guide | 1 |
| 24 | 61-32 | Oil Tube | 2 |
| 25 | 22-195 | Thread Disc Pin | 1 |
| 26 | 488-21 | Thread Nipper Staff, complete | 1 |
| 27 | 688-21 | Nipper Staff | 1 |
| 28 | 1188 L | Tension Disc | 2 |
| 29 | 61282 E | Tension Lifting Washer | 1 |
| 30 | 21-284 | Tension Spring | 1 |
| 31 | 20-60 | Adjusting Nut | 1 |
| 32 | 22-221 | Thread Release Pin | 1 |
| 33 | 41-53 | Tension Guide | 1 |
| 34 | 468-22 | Thread Tension Staff, complete | 1 |
| 35 | 30-60 | Adjusting Nut | 1 |
| 36 | 21-414 | Tension Spring | 1 |
| 37 | 1183 L | Tension Disc | 2 |
| 38 | 68-22 | Tension Staff | 1 |
| 39 | 18-897 | Screw | 1 |
| 40 | 61470 D | Thread Guide | 1 |
| 41 | 1316 L | Knurled Nut | 1 |
| 42 | 18-816 | Screw Stud | 1 |
| 43 | 18-821 | Screw Stud | 1 |
| 44 | 22-175 | Pin | 4 |
| 45 | 1160 L | Nut | 2 |
| 46 | 32-198 | Cover | 1 |
| 47 | SBW79 | Screw | 1 |
| 48 | 18-752 | Knob Screw | 1 |
| 49 | 18-286 | Screw | 1 |
| 50 | 18-547 | Set Screw | 2 |
| 51 | 40-46 | Washer | 1 |
| 52 | 1235 L | Screw | 1 |
| 53 | 22-238 | Timing Pin | 2 |
| 54 | 22-251 | Spring Pin | 1 |
| 55 | CS231 | Nut | 1 |
| 56 | 1221 L | Spring Washer | 1 |
| 57 | 18-934 | Screw | 1 |
| 58 | 32-208 | Machine Base Swing Cover | 1 |
| 59 | 40-170 | Washer | 1 |
| 60 | 819 L | Locking Nut | 1 |
| 61 | 17-172 | Locking Stud | 1 |
| 62 | 20-35 | Nut | 1 |
| 63 | 1160 L | Nut | 1 |
| 64 | 22-273 | Button Clamp Stop Pin for Styles 200-1, -2, -6, -7, -8, -9, -10, -15, -21, -22, -23, -24, -25, -26, -27 | 1 |
| 65 | 110-333 | Spacer Plate, large, for Styles 200-10, -15 | 1 |
| 66 | 110-334 | Spacer Plate, small, for Styles 200-10, -15 | 1 |

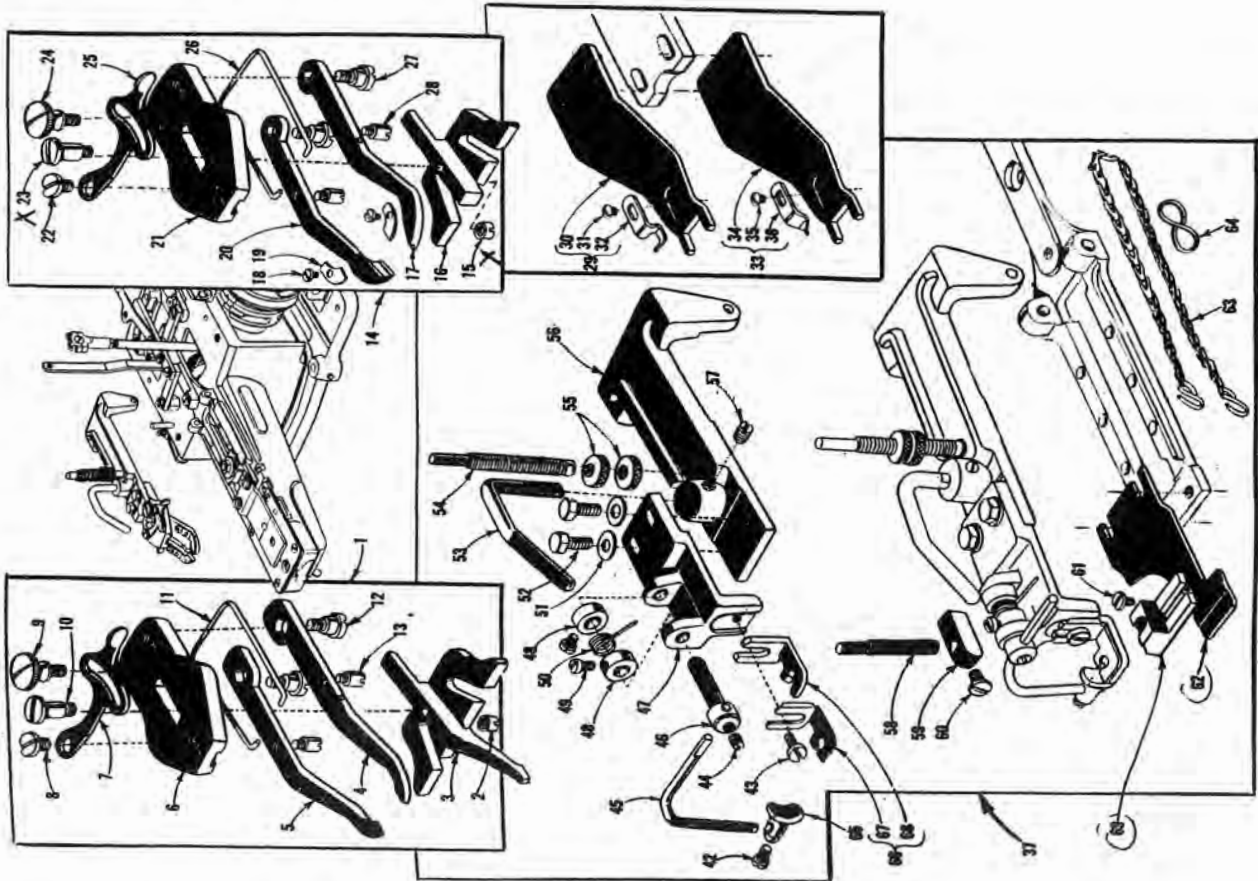
RICAMBI LEWIS 200



RICAMBI LEWIS

*EXTRA ATTACHMENTS AVAILABLE FOR CLASS 200

| Ref. No. | Part No. | Description | Amt. Req. |
|----------|------------|---|-----------|
| 1 | 430-77 | Snap Fastener Clamp, complete, for Styles 200-1, -2, -6, -7, -8, -9, -10, -15 | 1 |
| 2 | 20-123 | Nut | 1 |
| 3 | 158-21 | Slide | 1 |
| 4 | 45-419 | Jaw Lever, right | 1 |
| 5 | 45-420 | Jaw Lever, left | 1 |
| 6 | 99-316 | Lever Holder | 1 |
| 7 | 45-332 | Stop Lever | 1 |
| 8 | 18-75 | Hinge Screw | 1 |
| 9 | 18-945 | Clamp Screw | 1 |
| 10 | 18-931 | Screw | 1 |
| 11 | 21-315 | Spring | 1 |
| 12 | 18-929 | Hinge Screw | 1 |
| 13 | 18-930 | Bearing Screw | 2 |
| 14 | 430-86 | Hook and Eye Clamp, complete, for Styles 200-1, -2, -6, -7, -8, -9, -10, -15 | 2 |
| 15 | 20-123 | Nut | 1 |
| 16 | 158-25 | Slide | 1 |
| 17 | 45-458 | Lever, right | 1 |
| 18 | 18-125 | Screw | 1 |
| 19 | 110-404 | Lever Plate | 2 |
| 20 | 45-458 | Lever, left | 2 |
| 21 | 99-316-1 | Lever Holder | 1 |
| 22 | 18-75 | Hinge Screw | 1 |
| 23 | 18-831 | Screw | 1 |
| 24 | 18-945 | Clamp Screw | 1 |
| 25 | 45-332 | Stop Lever | 1 |
| 26 | 21-315 | Spring | 1 |
| 27 | 18-929 | Hinge Screw | 1 |
| 28 | 18-930 | Bearing Screw | 2 |
| 29 | 430-75-1 | Tacking Clamp, complete, for Styles 200-6, -7, -8, -9 | 2 |
| 30 | 30-75 | Clamp | 1 |
| 31 | 18-316 | Screw | 1 |
| 32 | 122-46 | Thread Breaking Finger | 1 |
| 33 | 430-75 | Tacking Clamp, complete, for Styles 200-1, -2, -10, -15 | 1 |
| 34 | 30-75 | Clamp | 1 |
| 35 | 18-316 | Screw | 1 |
| 36 | 122-45 | Thread Breaking Finger | 1 |
| 37 | 430-57-37 | Shank Burton Clamp, complete, with chain, "S" hooks, but without clamp, adaptor, work support block or foot treadle, for Styles 200-1, -2, -5, -7, -10, -15 | 1 |
| 42 | 18-733 | Screw | 1 |
| 43 | CS327 | Screw | 1 |
| 44 | SEWTS | Screw | 1 |
| 45 | 15-372 | Lever Holding Shaft | 1 |
| 46 | 44-455 | Bracket | 1 |
| 47 | 40-238 | Collar | 1 |
| 48 | 30-938 | Collar | 2 |
| 49 | 18-823 | Screw | 2 |
| 50 | 31-853 | Spring | 2 |
| 51 | 40-88 | Washer | 2 |
| 52 | 18-873 | Screw | 2 |
| 53 | 71-72 | Rod | 2 |
| 54 | 18-955 | Screw | 1 |
| 55 | 20-60 | Knurled Nut | 1 |
| 56 | 99-308 | Burton Clamp Holder | 2 |
| 57 | 1005 L | Set Screw | 1 |
| 58 | 17-155 | Stud | 1 |
| 59 | 115-127 | Block | 1 |
| 60 | 18-750 | Screw | 1 |
| 61 | 18-307 | Screw | 1 |
| 62 | 24-281 | Feet Plate | 1 |
| 63 | 130-9 | Chain | 1 |
| 64 | 131-C183-1 | "S" Hook | 1 |
| 65 | 430-55 | Shank Burton Holding Clamp for Styles 200-1, -2, -6, -7, -15 | 1 |
| 66 | 490-43 | Shank Burton Adapter, adjustable, for Styles 200-1, -2, -6, -7, -15 | 1 |
| 67 | 8-132 | Claw, adjustable | 1 |
| 68 | 90-49 | Adapter | 1 |
| 69 | 115-151 | Shank Burton Work Support Block for Styles 200-1, -2, -6, -7, -15 | 1 |

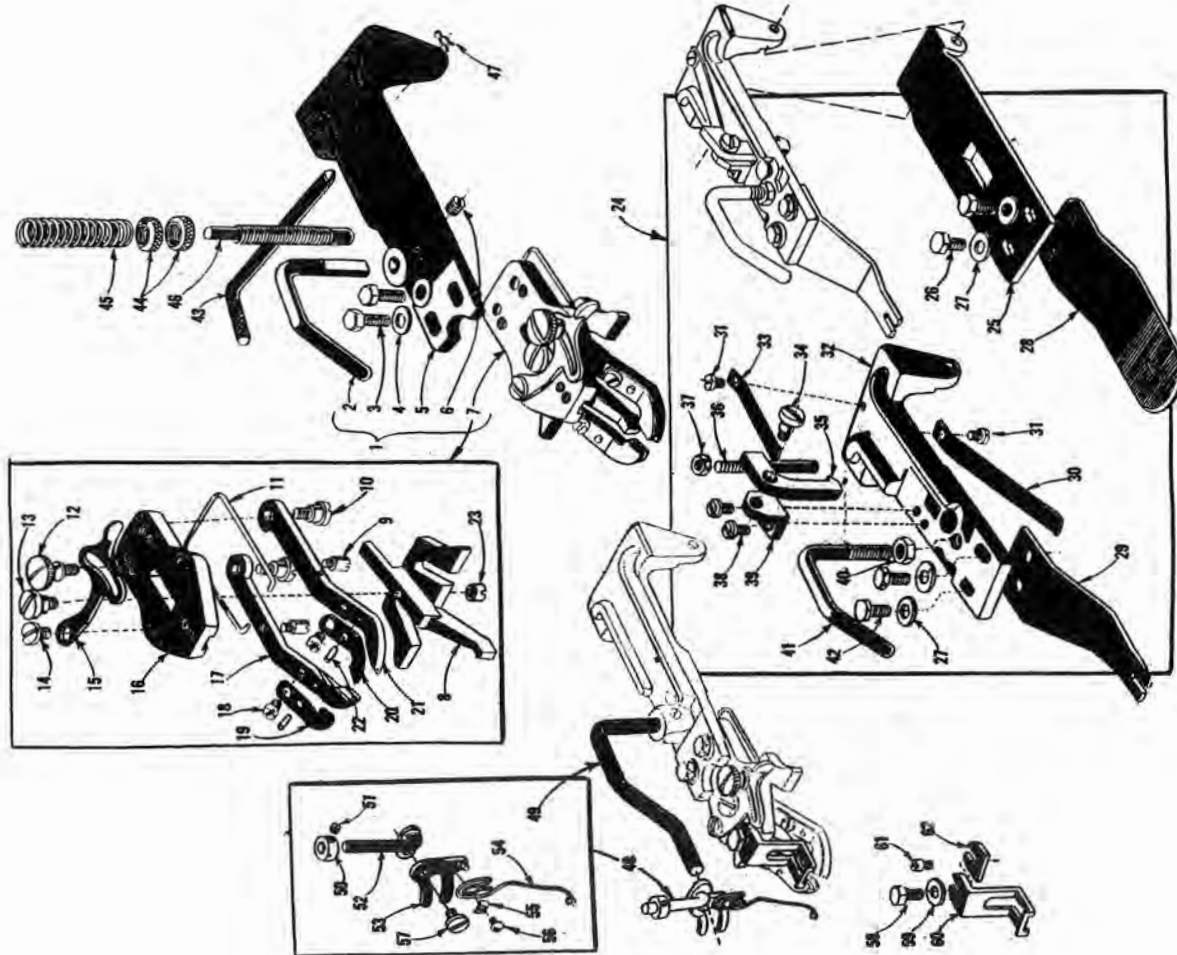


** Machines on which attachments can be used are indicated in parts descriptions.
 *** Due to the many varieties of shank buttons, this combination of holding clamp, adapter, and work support block is illustrated only to show their positions in the machine. In order to secure the proper combination of parts, a sample button must be submitted.
 **** When used for buttons greater than 45 lines, also order needle plate No. 110-204 as an extra send and charge item.

RICAMBI LEWIS

STANDARD BUTTON AND TACKLING CLAMPS

| Ref. No. | Part No. | Description | Amt. Req. |
|----------|-----------|--|-----------|
| 1 | 430-63-6 | Button Clamp, complete with holder, for Styles 200-1, -2, -6, -7, -8, -9, -25, -28 | 1 |
| 2 | 71-83 | Button Clamp Lifting Rod, also for Styles 200-21, -22, -23, -24 | 1 |
| 3 | 71-72 | Button Clamp Lifting Rod for Style 200-15 | 1 |
| 4 | 18-873 | Screw, also for Styles 200-10, -15 | 2 |
| 5 | 40-38 | Washer, also for Styles 200-10, -15 | 2 |
| 6 | 99-270 | Button Clamp Holder, also for Styles 200-10, -15, -21, -22 | 1 |
| 7 | 99-344 | Button Clamp Holder for Styles 200-23, -24 | 1 |
| 8 | 1005 L | Set Screw, also for Styles 200-10, -15, -21, -22, -23, -24 | 1 |
| 9 | * 430-63 | Button Clamp for 14 to 45 ligne flat buttons, also for Styles 200-10, -15 | 1 |
| 10 | ** 158-11 | Slide | 1 |
| 11 | 18-630 | Bearing Screw | 1 |
| 12 | 18-829 | Hinge Screw | 2 |
| 13 | 21-315 | Spring | 2 |
| 14 | 18-945 | Clamp Screw | 1 |
| 15 | 18-831 | Screw | 1 |
| 16 | 18-75 | Hinge Screw | 1 |
| 17 | 45-332 | Stop Lever | 1 |
| 18 | 99-316 | Button Clamp Lever Jaw Holder | 1 |
| 19 | 99-347 | Button Clamp Lever Jaw, left | 1 |
| 20 | 1189 L | Screw | 2 |
| 21 | 21-337 | Button Holding Spring, left | 1 |
| 22 | 21-336 | Button Holding Spring, right | 1 |
| 23 | 15-346 | Button Clamp Lever Jaw, right | 1 |
| 24 | 22-205 | Locating Pin | 2 |
| 25 | 20-123 | Nut | 2 |
| 26 | 430-88 | Tacking Clamp, complete with holder, for Styles 200-16, -17 | 1 |
| 27 | 99-326 | Holder, lower | 1 |
| 28 | 18-870 | Screw | 2 |
| 29 | 40-38 | Washer | 2 |
| 30 | 30-89 | Clamp, lower | 4 |
| 31 | 30-88 | Clamp, upper | 1 |
| 32 | 21-389 | Spring, lower | 1 |
| 33 | 16-623 | Screw | 2 |
| 34 | 99-328 | Holder, upper | 1 |
| 35 | 21-398 | Spring, upper | 1 |
| 36 | 18-963 | Screw | 1 |
| 37 | 166-10 | Pawl | 1 |
| 38 | 22-289 | Stop Pin | 1 |
| 39 | 1160 L | Nut | 1 |
| 40 | 18-596 | Screw | 2 |
| 41 | 50-247 | Bracket | 1 |
| 42 | 20-45 | Nut | 1 |
| 43 | 71-97 | Rod | 1 |
| 44 | 18-677 | Screw | 2 |
| 45 | 22-224 | Hinge Pin | 1 |
| 46 | 20-60 | Nut | 2 |
| 47 | 21-317 | Spring | 1 |
| 48 | 18-866 | Adjusting Screw | 1 |
| 49 | 21-407 | Spring Clip | 1 |
| 50 | 445-432 | Thread Wiper Lever Assembly for Style 200-10 | 1 |
| 51 | 71-89 | Rod | 1 |
| 52 | 39-C255 | Collar | 1 |
| 53 | 18-C186 | Set Screw | 1 |
| 54 | 68-29 | Staff | 1 |
| 55 | 45-432 | Thread Wiper Lever | 1 |
| 56 | 21-411 | Thread Wiper Spring | 1 |
| 57 | 30-79 | Spring Clamp | 1 |
| 58 | 18-1036 | Screw | 1 |
| 59 | 1778 L | Screw | 1 |
| 60 | 18-970 | Screw for Style 200-10 | 1 |
| 61 | 40-38 | Washer for Style 200-10 | 1 |
| 62 | 182-18 | Thread Pulling Separator for Style 200-10 | 1 |
| 63 | 18-1010 | Stop Screw for Style 200-10 | 1 |
| 64 | 157-8 | Thread Pulling Separator Spacer for Style 200-10 | 1 |



* Note: For 30 to 60 ligne flat buttons, order 430-63-1.
 ** Note: For 30 to 60 ligne flat buttons, order 158-15.

RICAMBI LEWIS

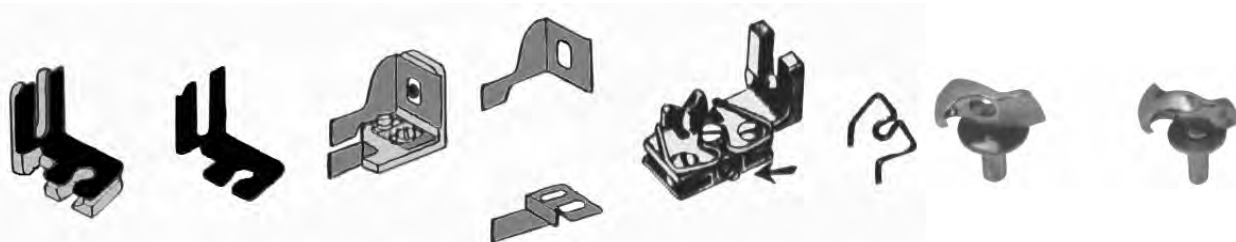
A3450 BS200 spaziatore per bottoni doppio



A3451 BS200M



A3452 BS200L



490-49
completo

8-132
molla ricambio

200-20
completo

166-21 superiore
162-20 inferiore

S175890

S175889

36-21
tipo nuovo

36-18
tipo vecchio



S175392

S175393

S175398

S175399

S175676

LW502

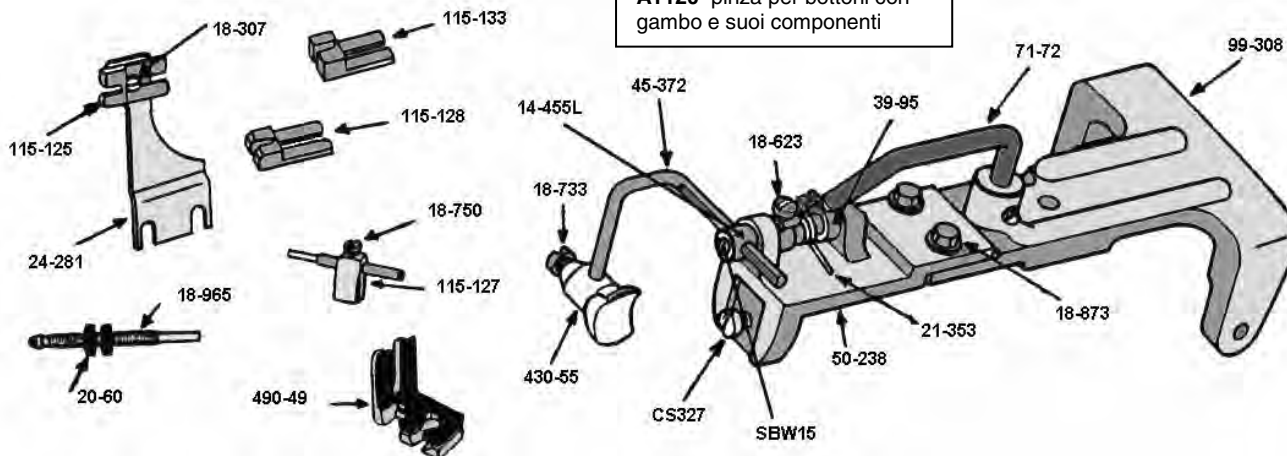
LW501

Morsetti regolabili

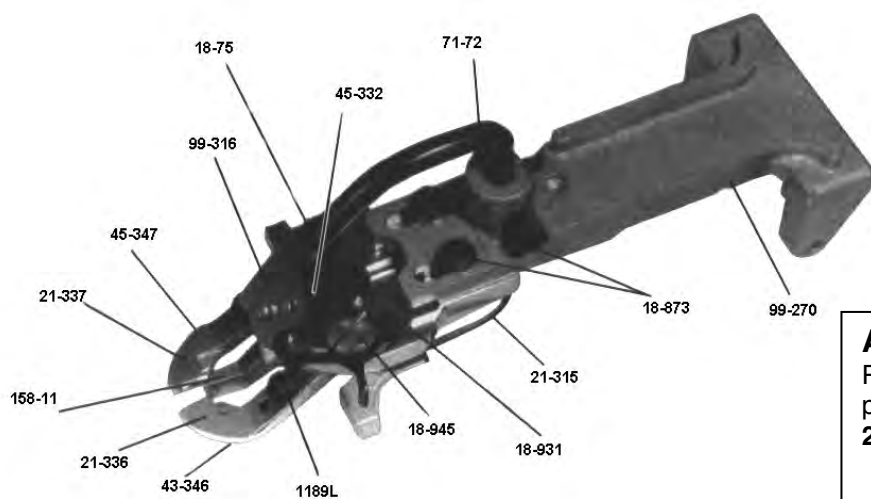


LW430-75 staffa completa
LW122-45 indice separato
LW18-318 vite

A1120 pinza per bottoni con
gambo e suoi componenti



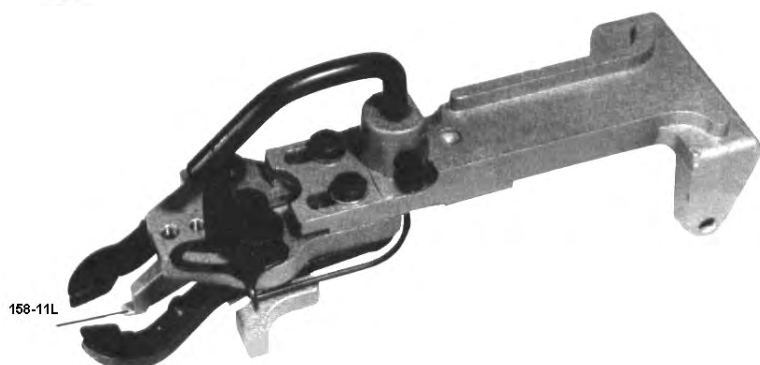
RICAMBI LEWIS



A1123 (430-63-6)
Pinza per bottoni camiceria,
piatti forati di diametro **da 6 a 29 mm**



A1120 (430-57-1)
Pinza per bottoni con gambo,
completa di morsetto, supporti
e staffa



A1123L (430-63-1)
Pinza per bottoni piatti forati di
diametro **da 19 a 38 mm.**



A1123LS (430-63-6LS)
Pinza per bottoni con fori,
grandi e spessi.
diametro bottoni **da 25 a 50 mm**

particolare delle molle con
gradino per bottoni di alto
spessore

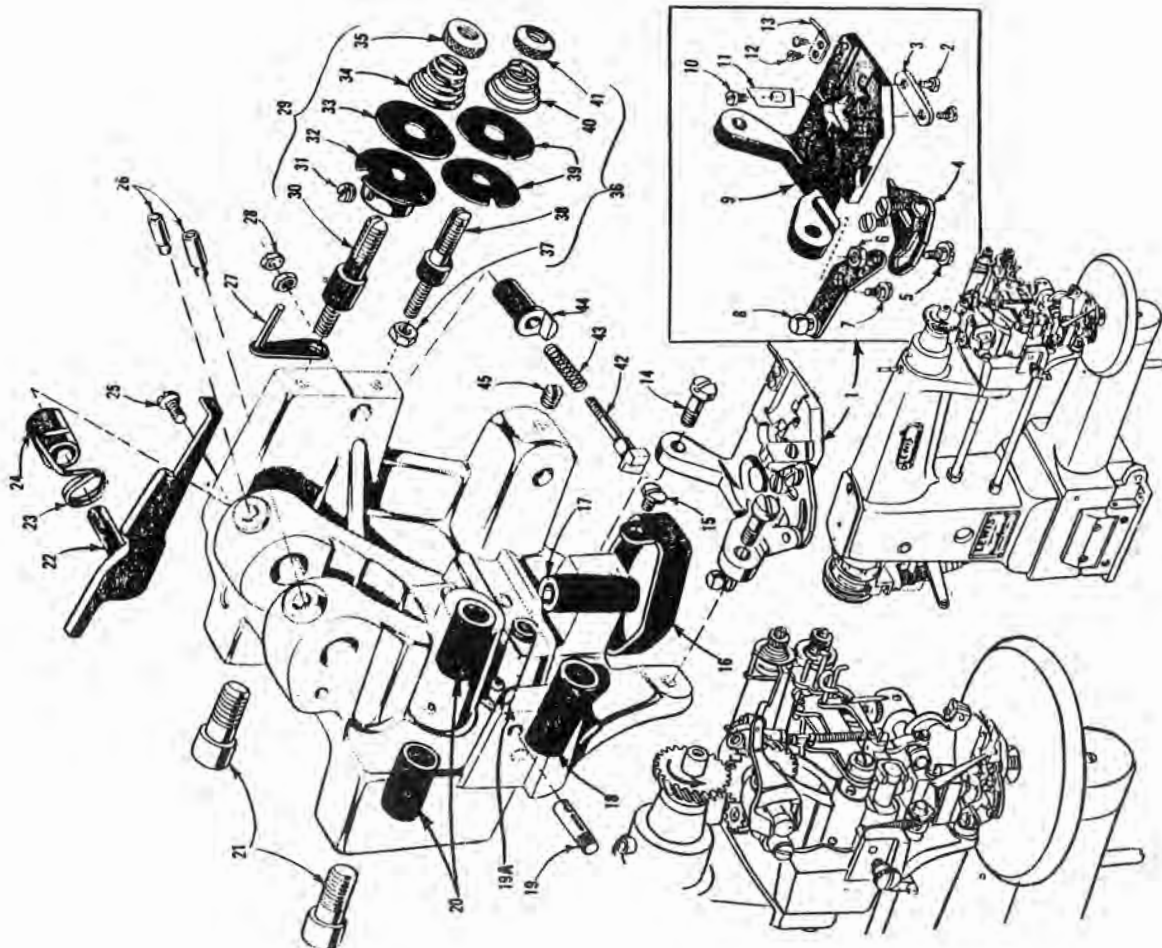
RICAMBI LEWIS

HEAD, PRESSER FOOT AND TENSION PARTS

| Ref. No. | Part No. | Description |
|----------|---------------|--|
| * 1 | 405-555 | Presser Foot, complete, See Page No. 29 for other presser feet |
| 2 | 18-983 | Screw |
| 3 | 6-65 | Needle Guide |
| 4 | 119-85 | Thread Breaking Finger |
| 5 | 18-1007 | Screw |
| 6 | 20-13 | Nut |
| 7 | 18-980 | Screw |
| 8 | 445-399 | Thread Cutting Finger Operating Lever |
| 9 | 5-555 | Presser Foot, main section |
| 10 | 1351 L | Screw |
| 11 | 119-76 | Thread Cutting Knife |
| 12 | 18-621 | Screw |
| 13 | 8-130 | Needle Guard |
| 14 | 1073 L | Screw |
| 15 | CS337 | Screw |
| 16 | 32-233 | Looper Gear Cover |
| 17 | 16-328 | Looper Driving Shaft Bushing |
| 18 | 16-337 | Trimmer Shaft Bushing, front |
| 19 | 22-274 | Thread Wiper Finger Spring Pin |
| 19A | LS201 | Needle Carrier Crankshaft Bushing |
| 20 | 16-346 | Thread Pull-off Lever Shaft Bushing |
| 21 | 18-1045 | Screw |
| 22 | 445-367 | Thread Tension Releasing Lever, complete |
| 23 | 21-349 | Tension Release Lever Spring |
| 24 | 16-264 | Thread Tension Releasing Lever Bushing |
| 25 | 810 L | Screw |
| 26 | 125-23 | Oil Cup |
| 27 | 4137-127 | Nipper Retainer, complete |
| 28 | 20-13 | Nut |
| 29 | 468-25 | Thread Nipper Staff, complete |
| 30 | 68-27 | Tension Staff |
| 31 | 1029 L | Set Screw |
| 32 | 444-282 | Tension Disc, complete |
| 33 | 1183 L | Tension Disc |
| 34 | 1132 SL | Tension Spring |
| 35 | 20-60 | Adjusting Nut |
| 36 | 468-26 | Thread Tension Staff, complete |
| 37 | 1160 L | Nut |
| 38 | 68-28 | Tension Staff |
| 39 | 1183 L | Tension Disc |
| 40 | 21-284 | Tension Spring |
| 41 | 20-60 | Adjusting Nut |
| 42 | 26-171 | Thread Pull-off Lever Retaining Plunger |
| 43 | 21-339 | Thread Pull-off Lever Retaining Plunger Spring |
| 44 | 70-63 | Thread Pull-off Lever Retaining Plunger Sleeve |
| 45 | 1005 L | Set Screw |

* Furnished with machine unless otherwise specified.

RICAMBI LEWIS 160



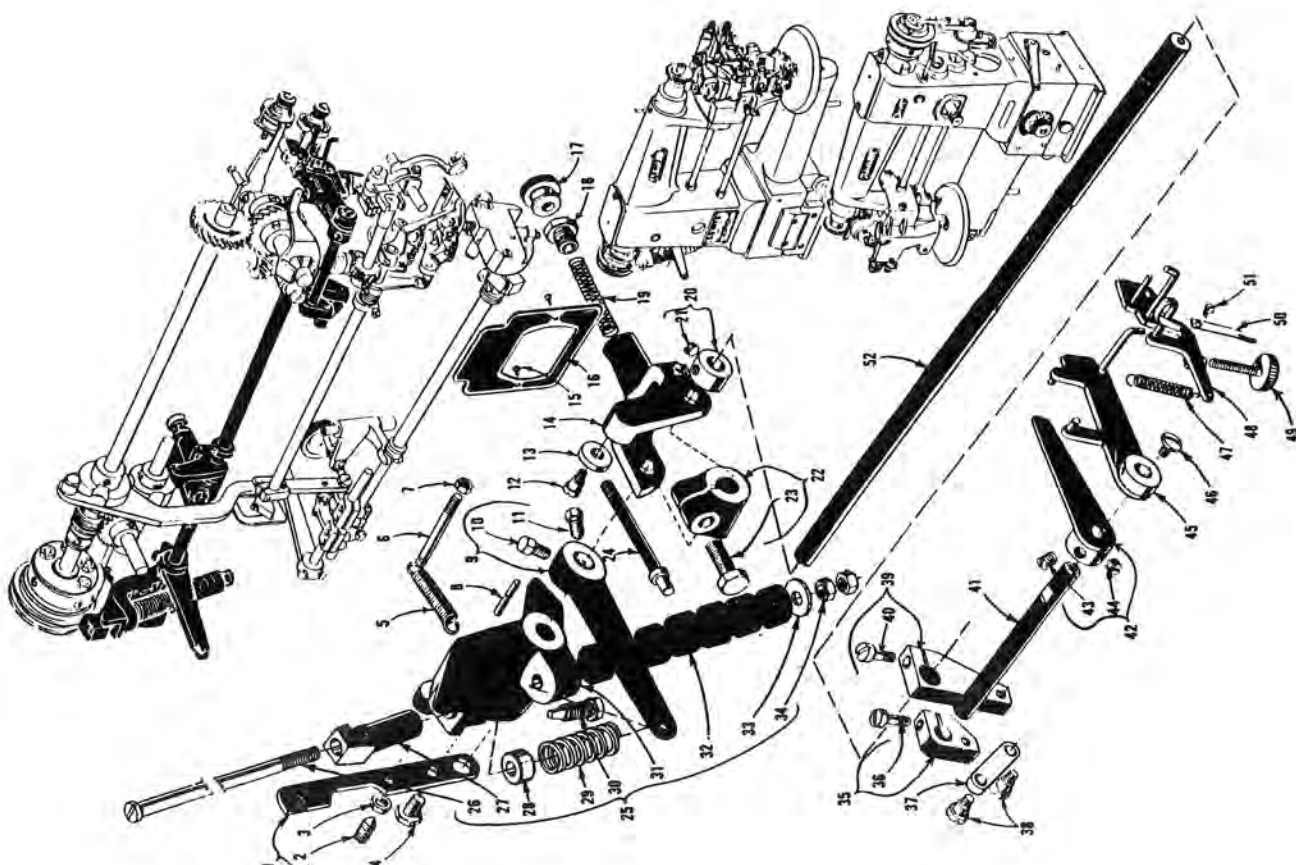
RICAMBI LEWIS

STOP MOTION, STITCH REGULATING AND THREAD PULL-OFF PARTS

| Ref. No. | Part No. | Description | Amt. Req. |
|----------|------------|---|-----------|
| 1 | 45-302 | Lever for applying pressure on Pulley Clutch Disc | 1 |
| 2 | 18-747 | Spot Screw | 1 |
| 3 | 20-34 | Nut | 1 |
| 4 | 18-280 | Screw | 1 |
| 5 | 21-360 | Stop Motion Lever Restoring Spring | 1 |
| 6 | 22-276 | Stop Motion Lever Restoring Spring Pin | 1 |
| 7 | 1009 L | Nut | 1 |
| 8 | 22-266 | Stop Motion Lever Restoring Spring Pin | 1 |
| 9 | 45-362 | Foot Pedal Chain Lever | 1 |
| 10 | 18-120 | Screw | 1 |
| 11 | 1298 L | Screw | 1 |
| 12 | 18-1105 | Screw | 1 |
| 13 | 35-28 | Stitch Adjusting Lever Roll | 1 |
| 14 | 45-360 | Stitch Adjusting Lever | 1 |
| 15 | 18-768 | Drive Screw | 2 |
| 16 | 97-18 | Stitch Indicator Plate | 1 |
| 17 | 1316 L | Stitch Selector Plunger Adjusting Nut | 1 |
| 18 | 20-124 | Stitch Selector Plunger Spring Retaining Nut | 1 |
| 19 | 21-347 | Stitch Selector Plunger Spring | 1 |
| 20 | 439-7 | Collar | 1 |
| 21 | S815 | Set Screw | 2 |
| 22 | 115-135 | Stitch Selecting Cam Block | 1 |
| 23 | 18-978 | Clamp Screw | 1 |
| 24 | 426-166 | Stitch Selector Plunger, complete | 1 |
| 25 | 445-348-4 | Stop Motion Lever, complete | 1 |
| 26 | 71-92 | Stop Motion Plunger Rod | 1 |
| 27 | 26-163 A | Stop Motion Plunger | 1 |
| 28 | 157-13 | Stop Motion Spacer Collar | 1 |
| 29 | 21-457 | Stop Motion Spring | 1 |
| 30 | 18-819 | Screw | 1 |
| 31 | 45-348 | Stop Motion Plunger Lever | 1 |
| 32 | 40-198 | Washer | 1 |
| 33 | 652-16 | Washer | 6 |
| 34 | 20-128 | Nut | 2 |
| 35 | 48-161 | Thread Pull-off Crank, short | 1 |
| 36 | 1073 L | Screw | 1 |
| 37 | 46-167 | Link for Thread Pull-off Crank | 1 |
| 38 | 18-688 | Screw | 2 |
| 39 | 48-162 | Thread Pull-off Crank, long | 1 |
| 40 | 1073 L | Screw | 1 |
| 41 | 14-466 | Thread Pull-off Lever Shaft | 1 |
| 42 | 445-397 | Thread Pull-off Plunger Operating Lever, complete | 1 |
| 43 | 1005 L | Set Screw | 1 |
| 44 | 1025 L | Set Screw | 1 |
| 45 | 445-398 | Thread Pull-off Lever, complete | 1 |
| 46 | 1329 L-1/2 | Screw | 1 |
| 47 | 21-390 | Thread Pull-off Lever Spring | 1 |
| 48 | 499-325 | Thread Pull-off Pin Holder, complete | 1 |
| 49 | 18-005 | Thread Pull-off Adjusting Screw | 1 |
| 50 | 21-389 | Thread Pull-off Adjusting Spring | 1 |
| 51 | 1075 L | Screw | 1 |
| 52 | 14-467 | Stop Motion Lever Shaft | 1 |

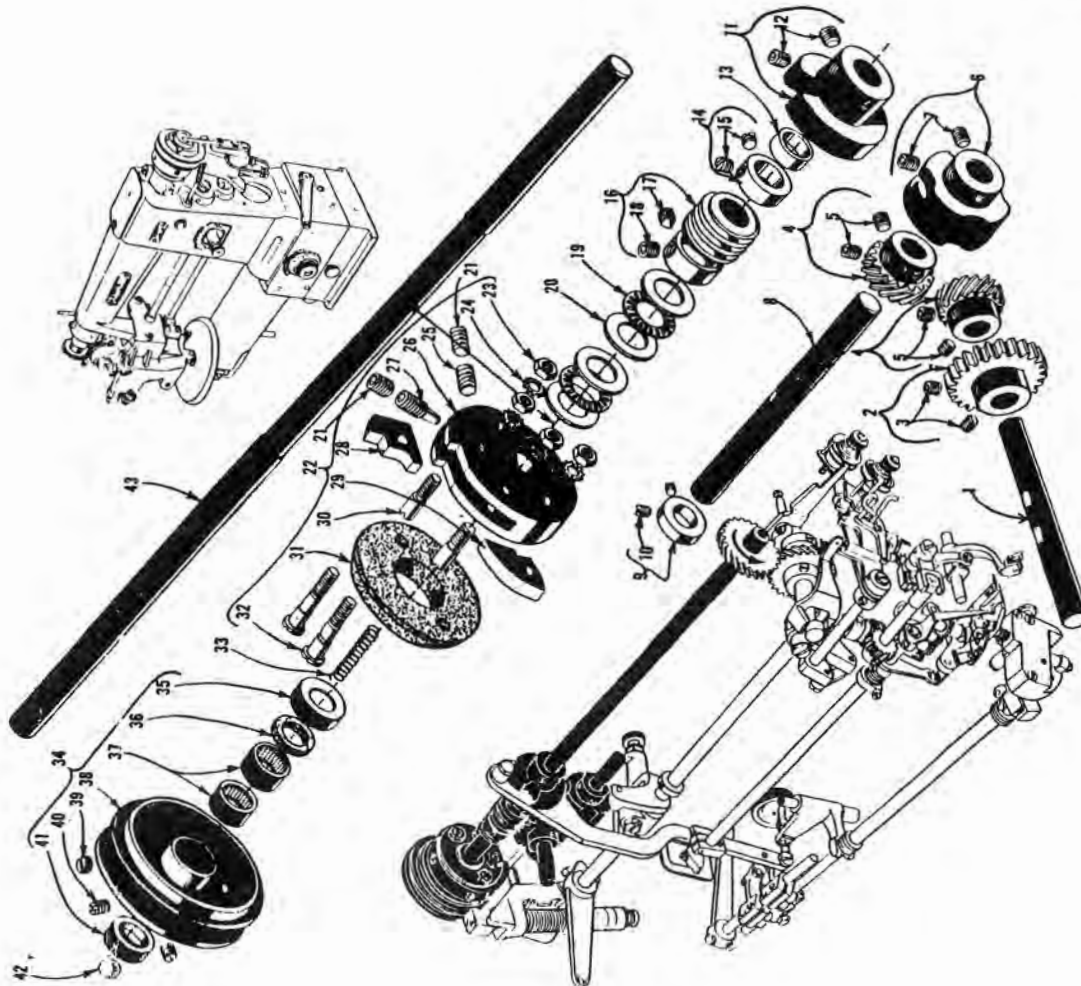
Y85244

RICAMBI LEWIS 160



RICAMBI LEWIS

MAIN SHAFT, HANDWHEEL AND STOP MOTION DRIVE



| Ref. No. | Part No. | Description | Amt. Req. |
|----------|----------|---|-----------|
| 1 | 14-444 | Jackshaft | 1 |
| 2 | 27-185 | Jackshaft Worm Gear | 1 |
| 3 | 18-730 | Set Screw | 2 |
| 4 | 27-168 | Spiral Gear | 2 |
| 5 | 18-996 | Set Screw | 2 |
| 6 | 34-67 | Stitch Tacking Cam | 1 |
| 7 | 18-730 | Set Screw | 2 |
| 8 | 14-465 | Camshaft | 1 |
| 9 | 439-7 | Collar | 1 |
| 10 | SB15 | Set Screw | 2 |
| 11 | 34-59 | Plunger Raising Cam | 1 |
| 12 | 18-730 | Set Screw | 2 |
| 13 | 35-30 | Roll for Plunger Lifting Connecting Rod | 1 |
| 14 | 39-92 | Collar | 1 |
| 15 | 1025 L | Set Screw | 2 |
| 16 | 27-184 | Main Shaft Worm Gear | 1 |
| 17 | 18-976 | Spot Screw | 1 |
| 18 | 18-730 | Set Screw | 1 |
| 19 | 478-27 | Needle Bearing | 2 |
| 20 | 40-135 | Washer | 2 |
| 21 | 18-967 | Set Screw | 2 |
| 22 | 444-334 | Stop Motion, complete | 1 |
| 23 | 20-127 | Nut | 4 |
| 24 | 652 H-14 | Washer | 4 |
| 25 | 18-967 | Set Screw | 1 |
| 26 | 44-334 | Stop Motion Disc | 1 |
| 27 | 18-958 | Stop Screw | 1 |
| 28 | 166-7 | Stop Motion Disc Pawl | 1 |
| 29 | 51-20 | Stop Motion Disc Latch | 1 |
| 30 | 18-959 | Screw | 2 |
| 31 | 44-288 | Pulley Clutch Disc | 1 |
| 32 | 18-982 | Screw | 2 |
| 33 | 21-229 | Spring | 1 |
| 34 | 458-39 | Pulley Assembly, complete | 1 |
| 35 | 40-169 | Retainer Washer | 1 |
| 36 | 63-32 | Grease Retainer | 1 |
| 37 | 478-10 | Needle Bearing | 2 |
| 38 | 59-39 | Pulley | 1 |
| 39 | 18-800 | Set Screw | 1 |
| 40 | 1005 L | Set Screw | 2 |
| 41 | 190-2 L | Pulley Insert | 1 |
| 42 | 79-37 | Ball | 1 |
| 43 | 14-442 | Main Shaft | 1 |

Y85-22341